

ashford

WHEELS & LOOMS
INSTRUCTIONS

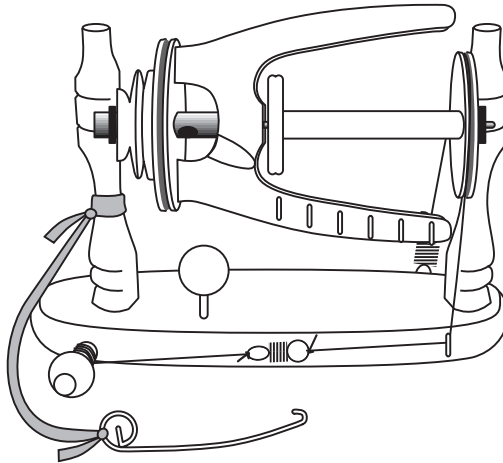
STANDARD FLYER UNIT

Tools Required:

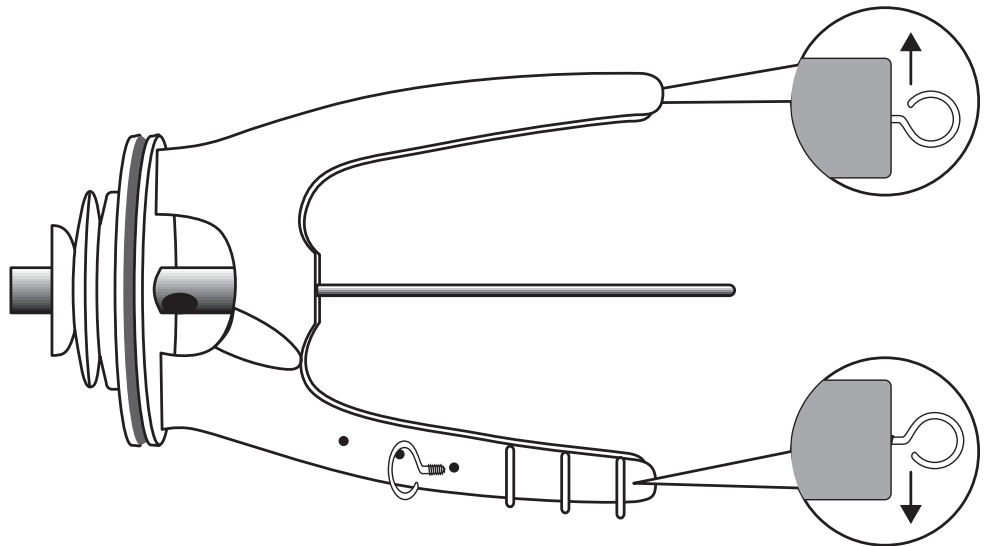
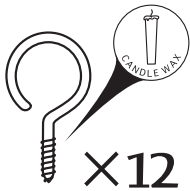
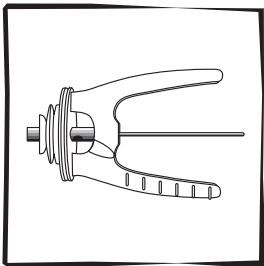
Screwdriver (+)

Scissors

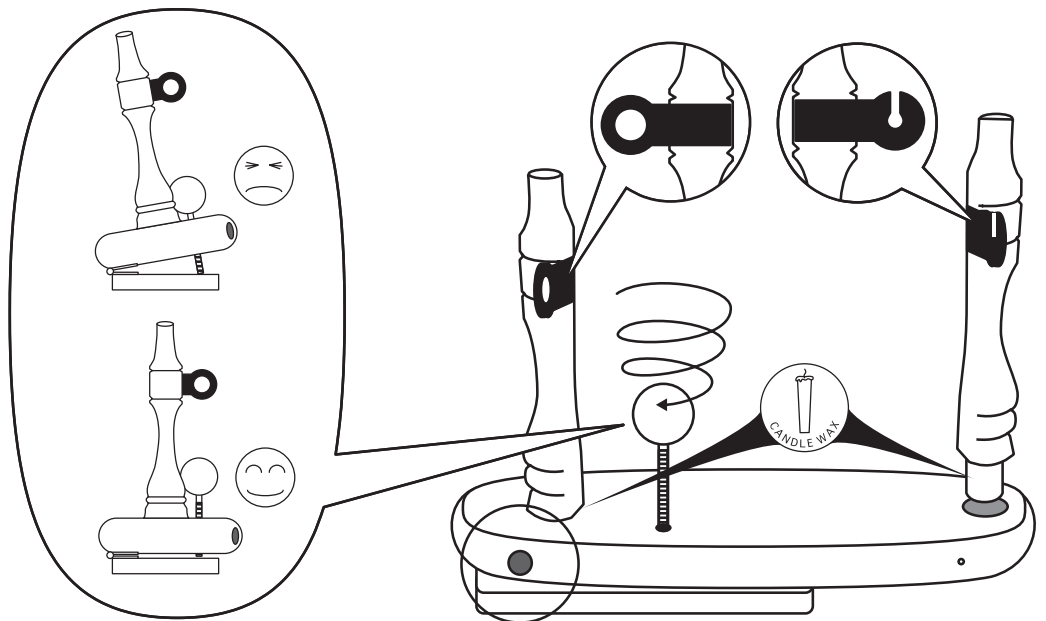
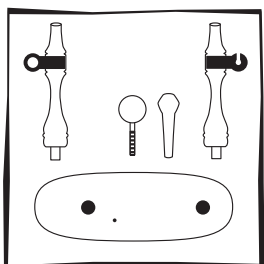
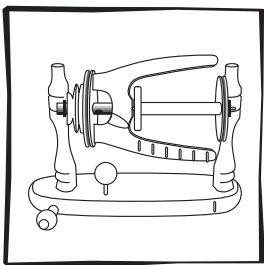
Candlewax.

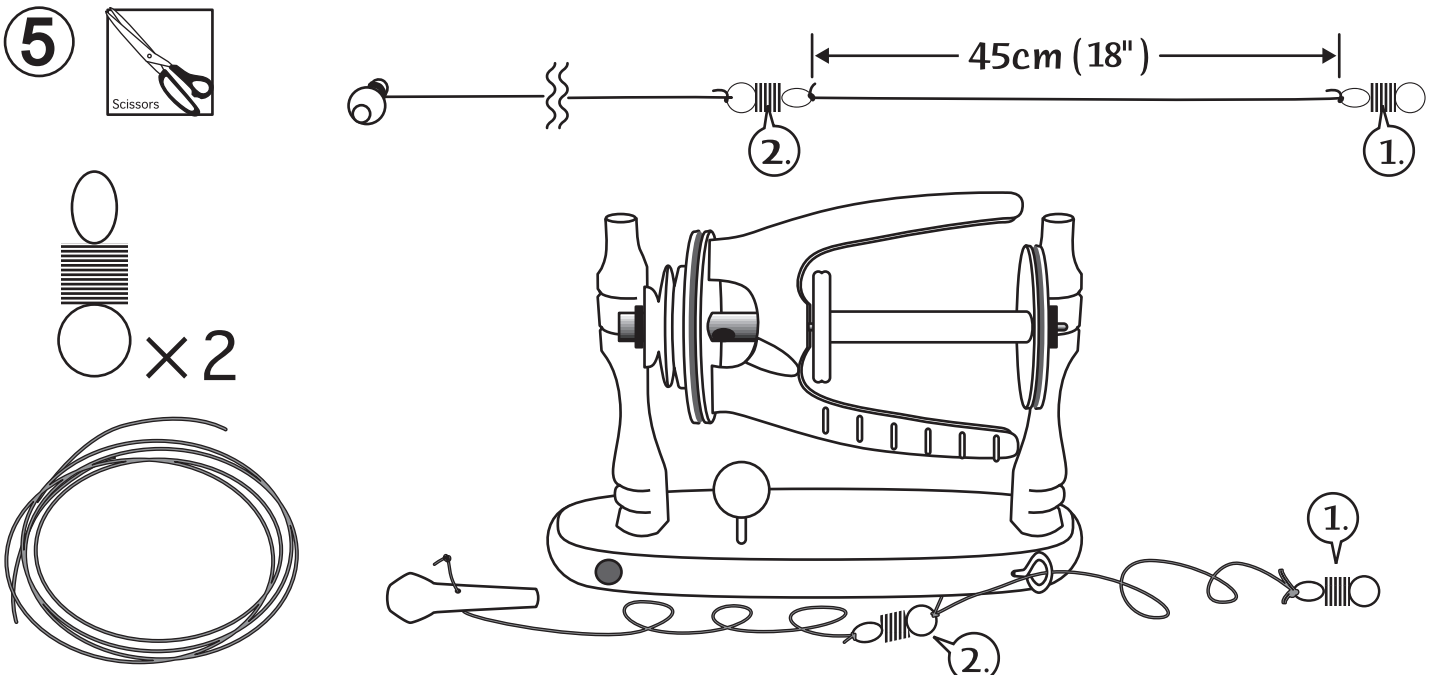
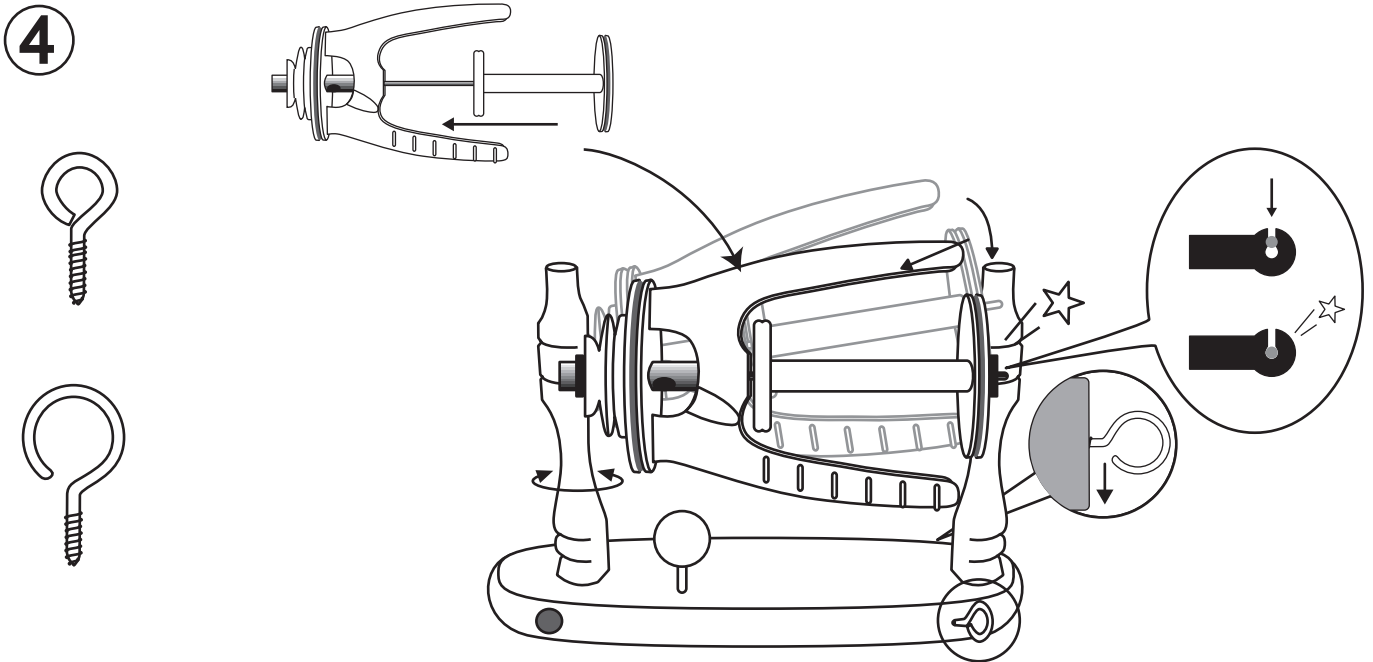
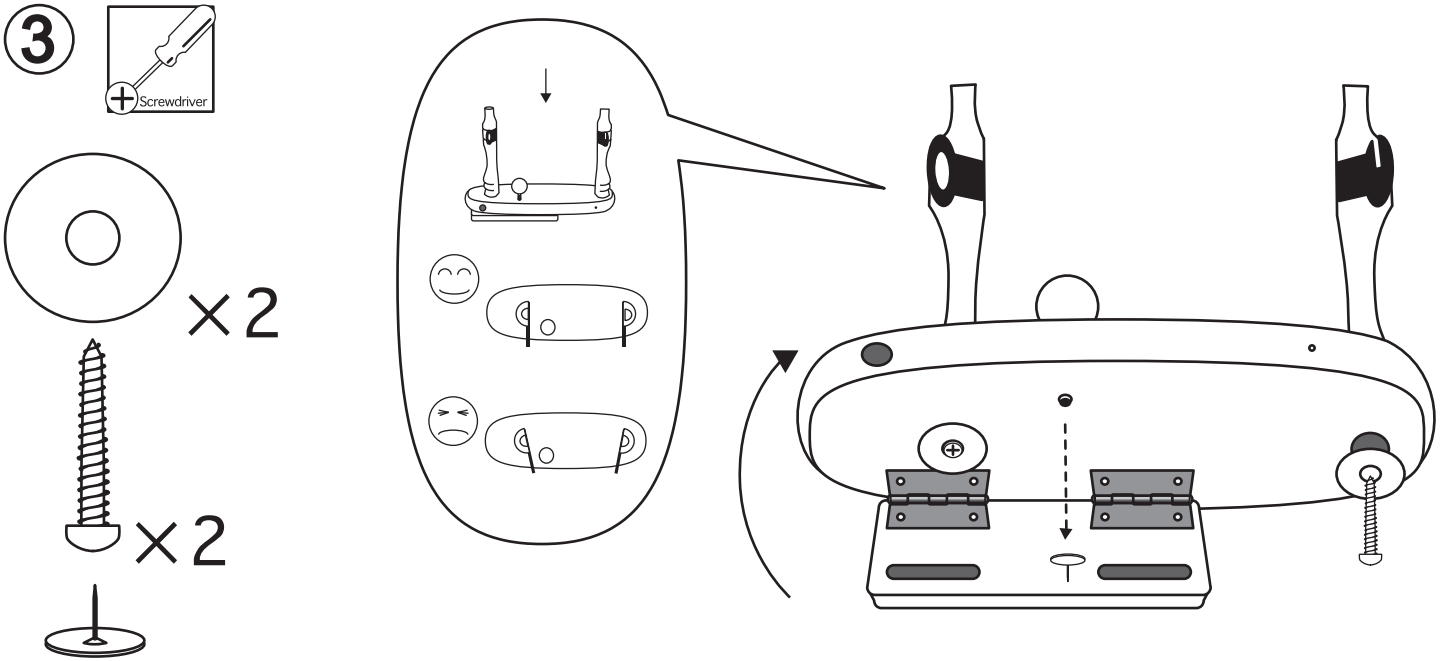


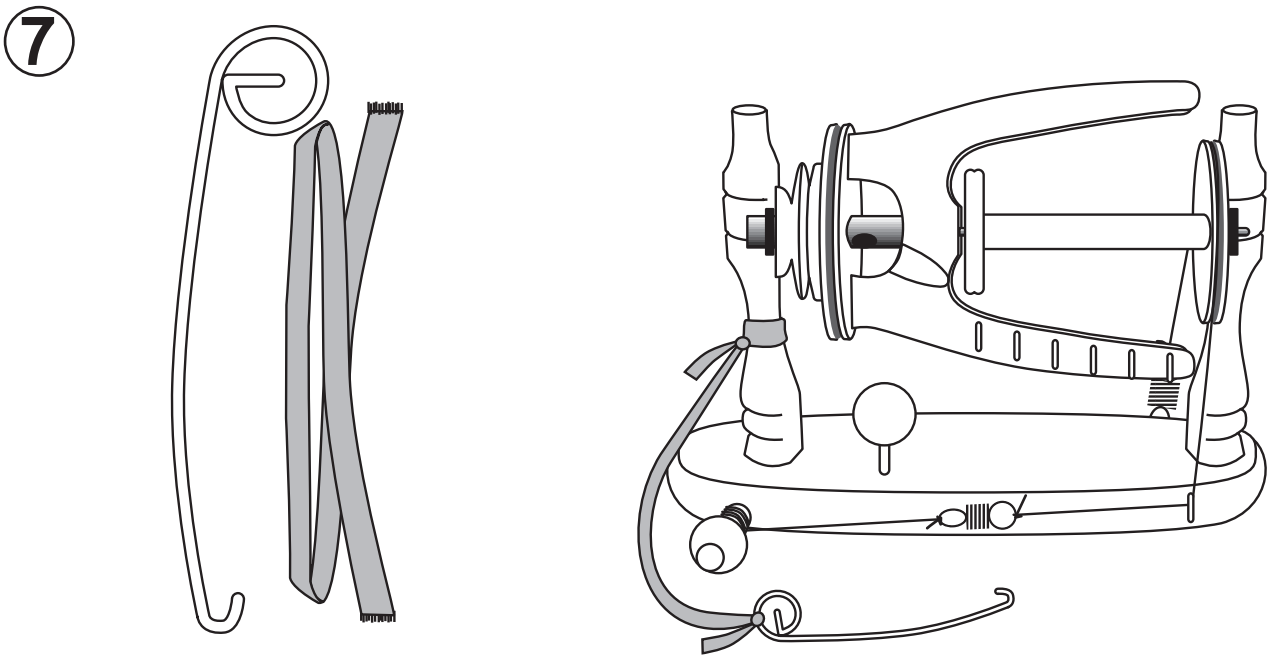
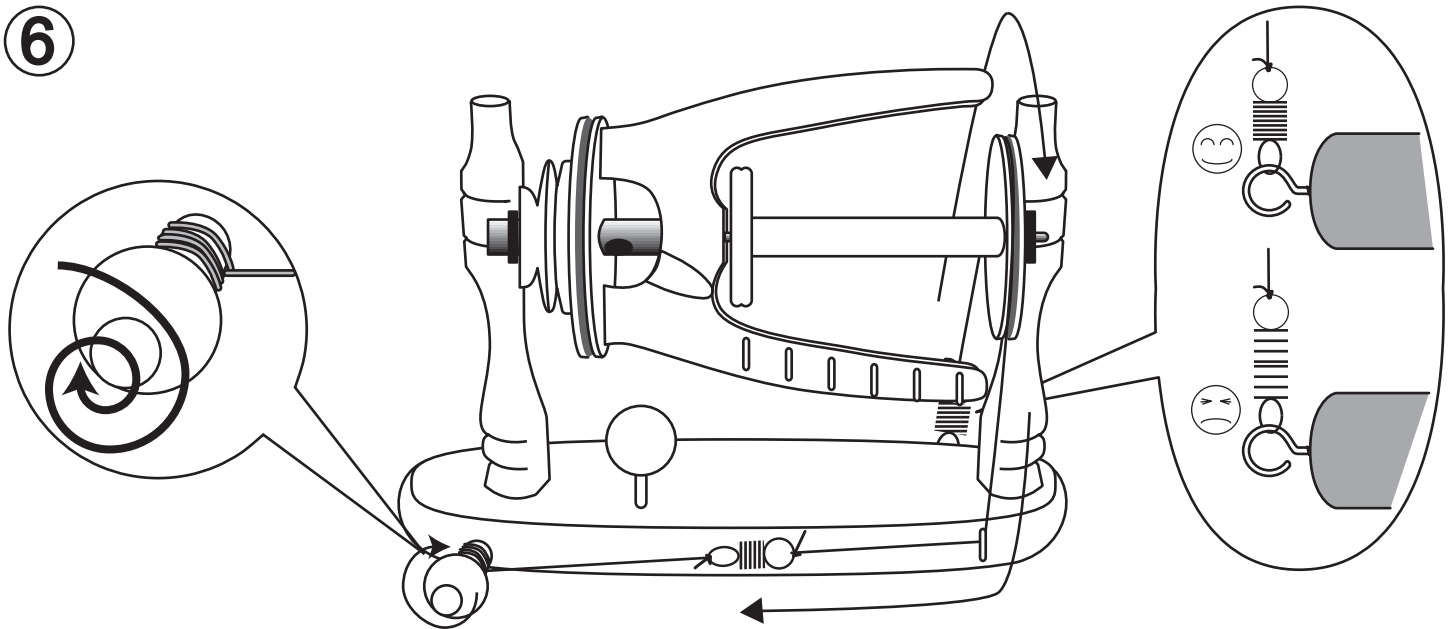
1



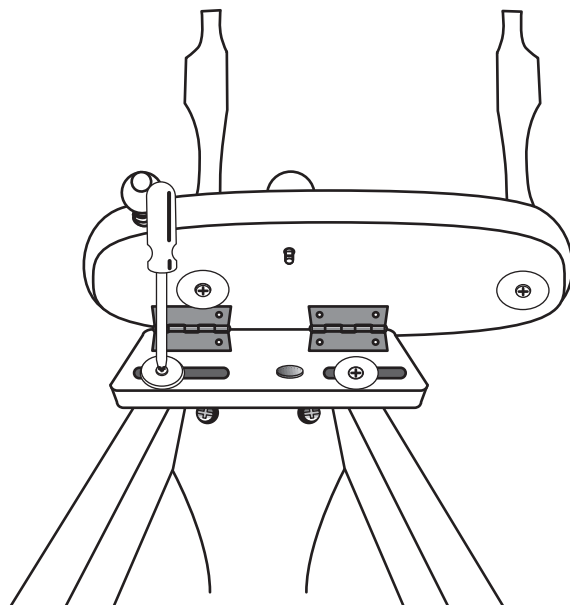
2



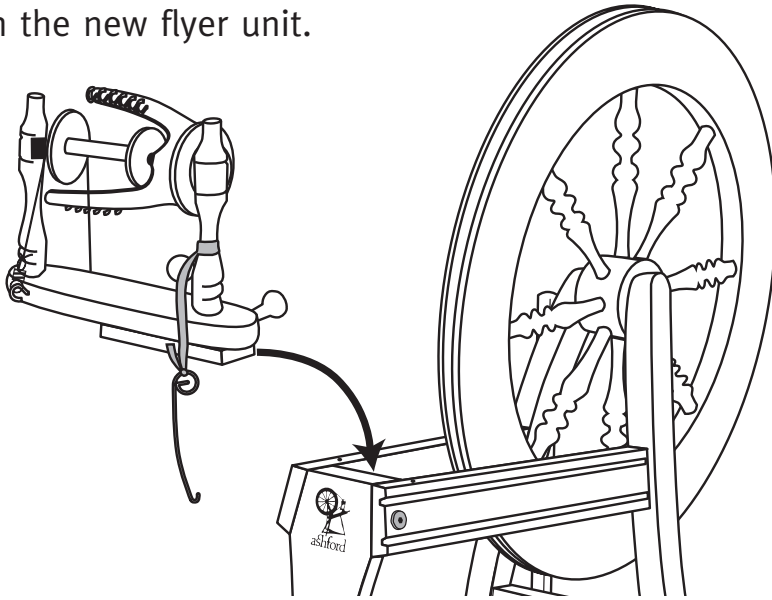




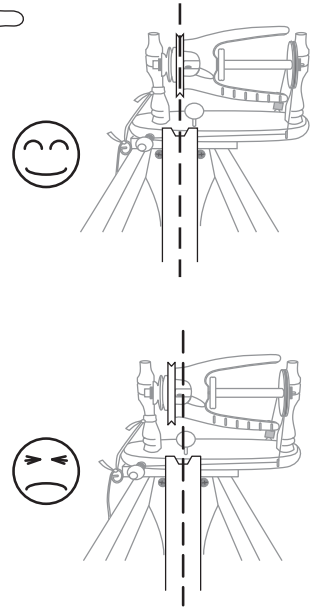
8 Remove the existing flyer unit from your wheel.



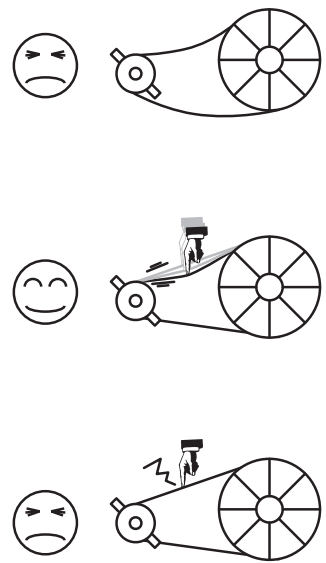
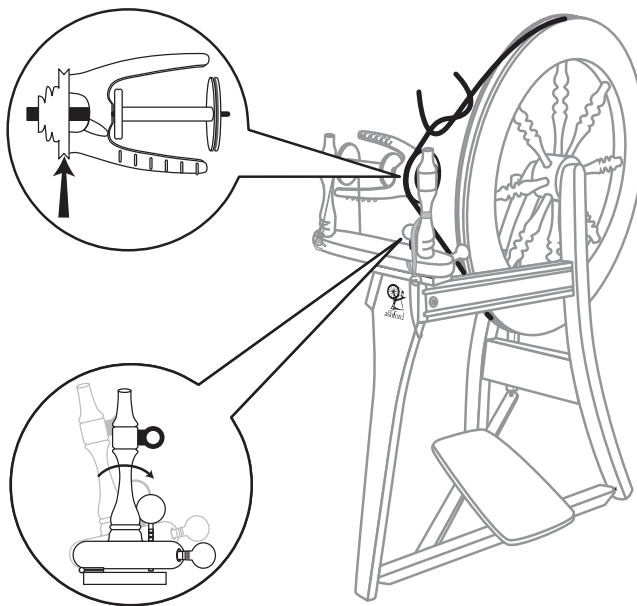
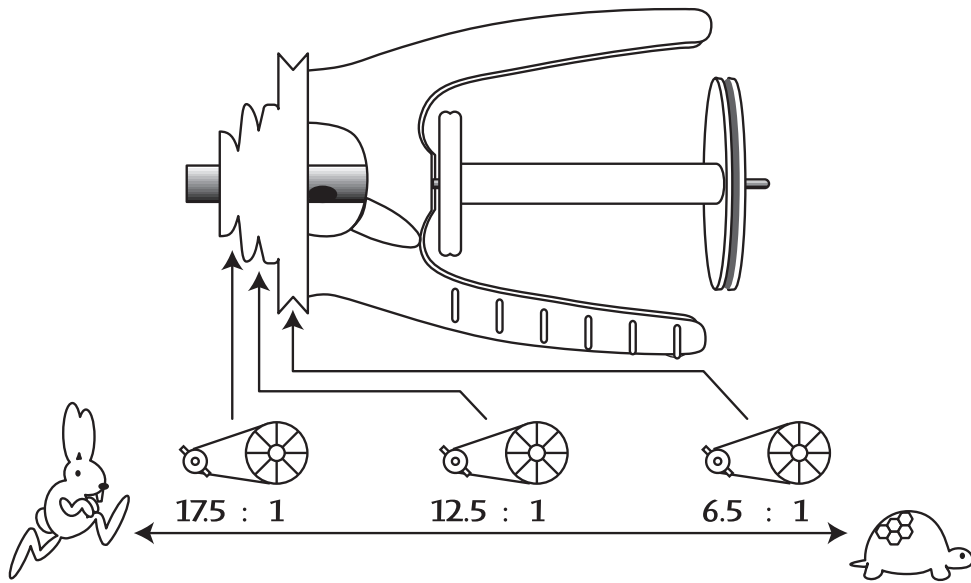
9 Attach the new flyer unit.



!Check



NOTE



SFU09022012V2