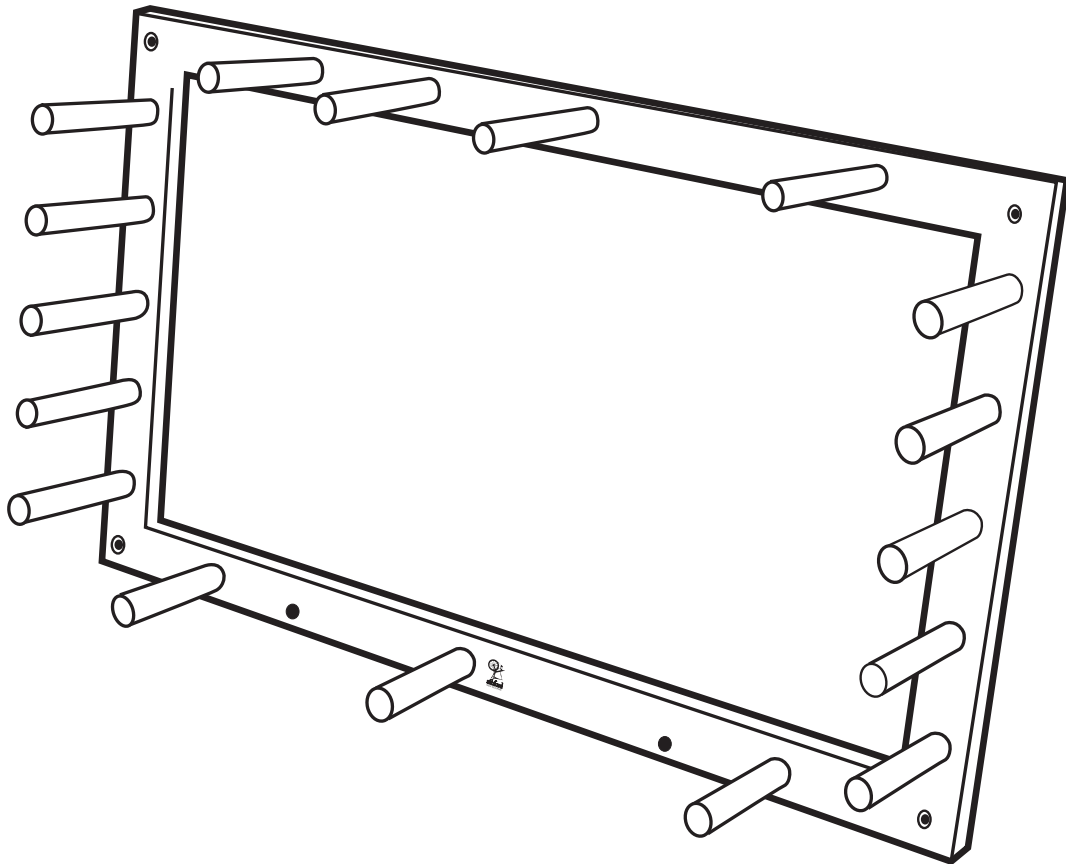


Warping Frame



Maximum Warp Length: Approx 11 metres / 37 feet

Assembly Instructions

Apply a little glue to each hole and push the pegs in (hammer if necessary). Fix the frame together at the four corners using a bolt, washer and wing nut. Hammer Bolts into place if necessary.

Parts List

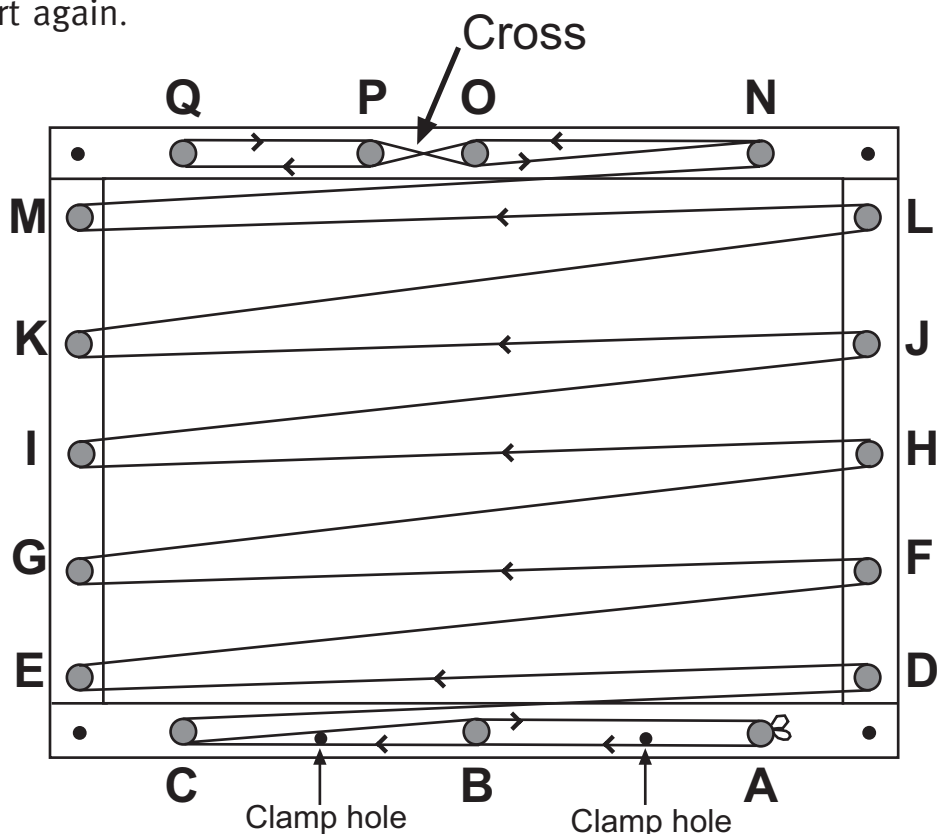
2	Rails with 5 holes	4	Bolts with nuts and washers
1	Rail with 4 holes	1	Bottle of Glue
1	Rail with 3 holes	17	Pegs
1	Pair of clamps		

Starting the Warp

Clamp your frame to your table. Decide on the warp length you require. The frame takes a maximum of 11 metres (36 feet). Use less pegs for a shorter warp.

The Cross

The cross is used to separate the threads and give the opportunity to count the warp threads for raddling and threading. The cross is important. If the cross is lost, you will need to start again.



Making the Warp with one cross

Start at Peg A. Tie end of thread to peg A, under B, under C, under D, E, F, G, H, I, J, K, L, M, N and over O, under P, under and around Q.

Now go back as follows:

Over P, under O, over N, M, L, K, J, I, H, G, F, E, D, C, over B and over A. This makes 2 warp ends.

Repeat to suit the length of the warp.

NOTE - the cross is formed between O and P. If you need two crosses, make the second cross between A and B.