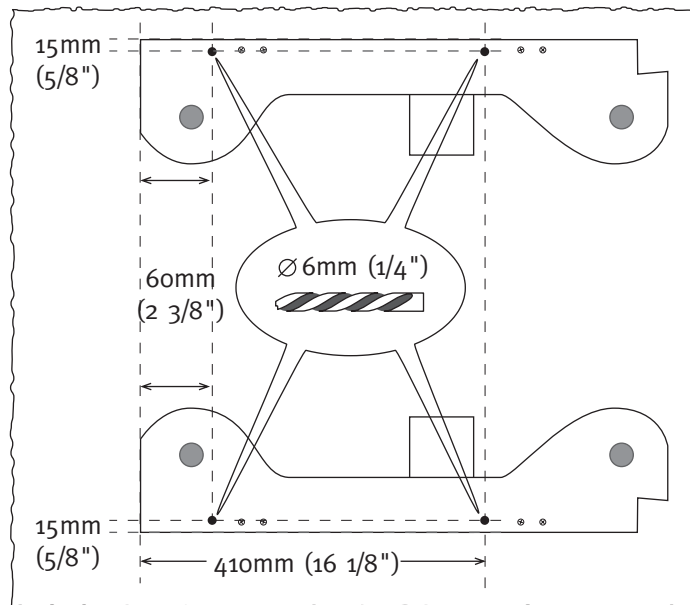
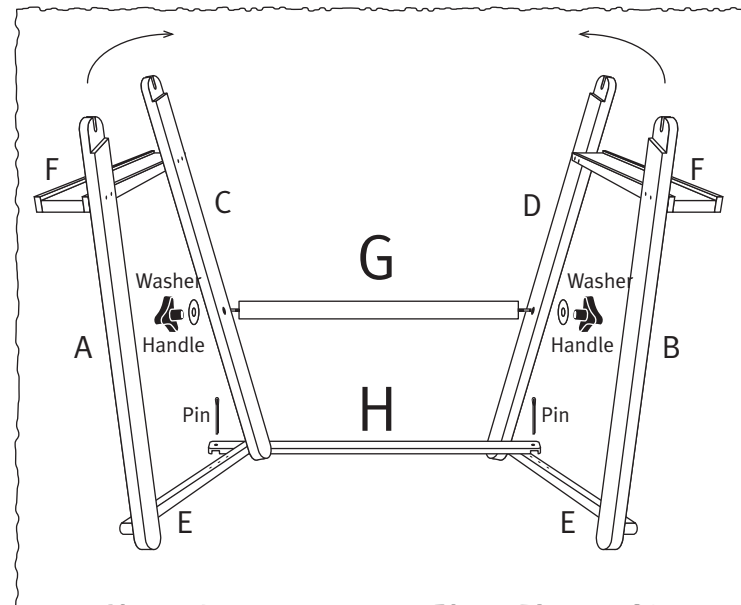
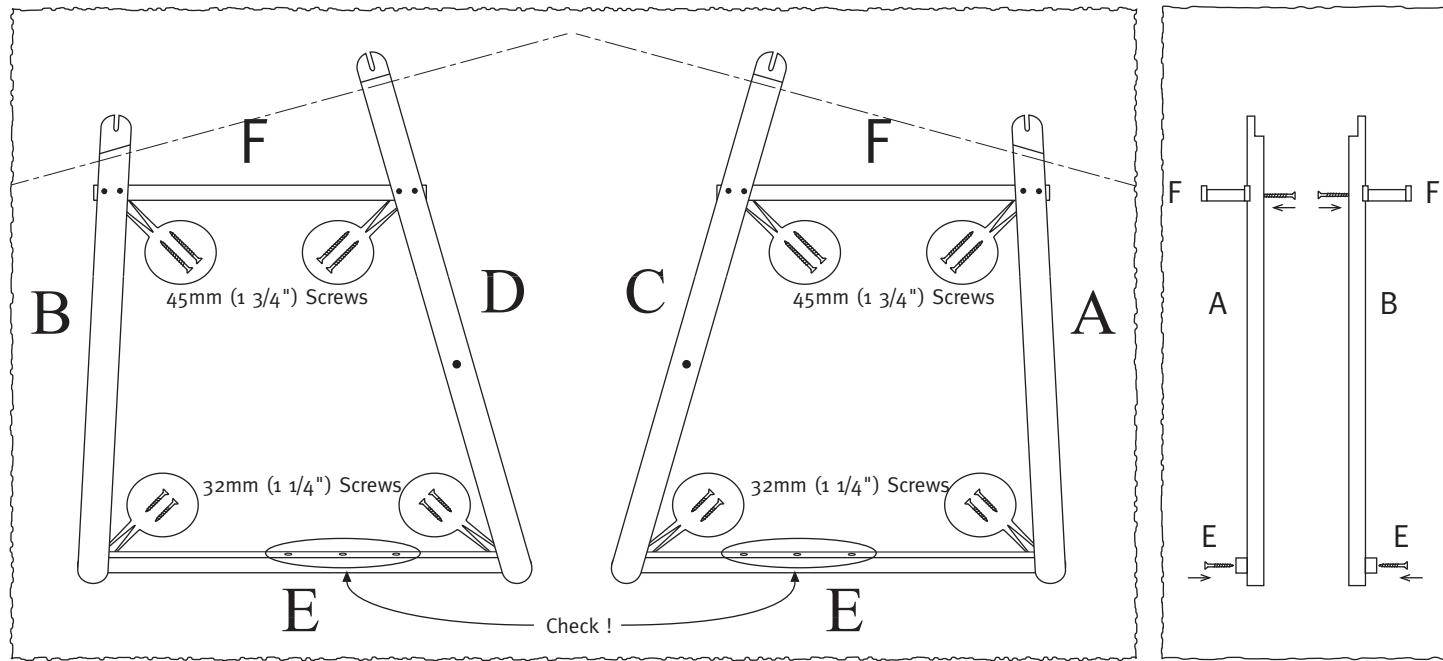
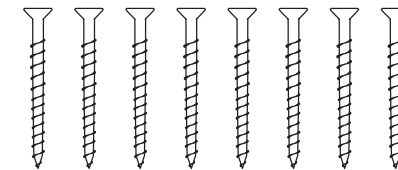
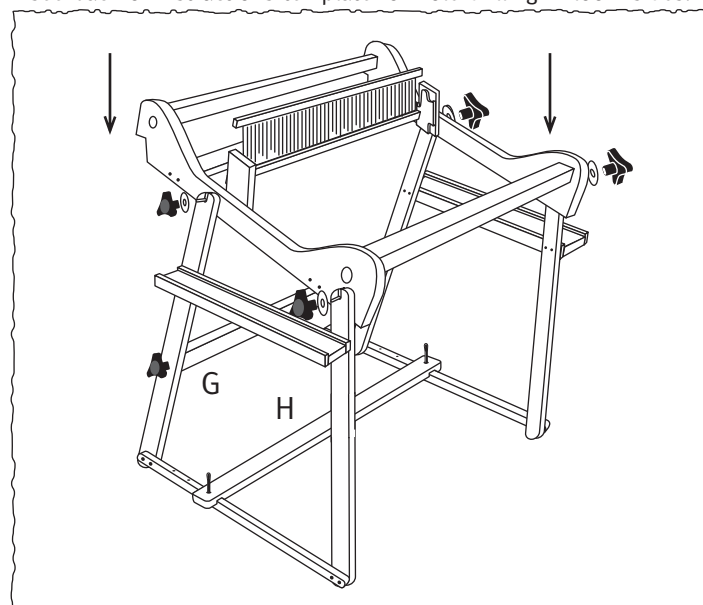
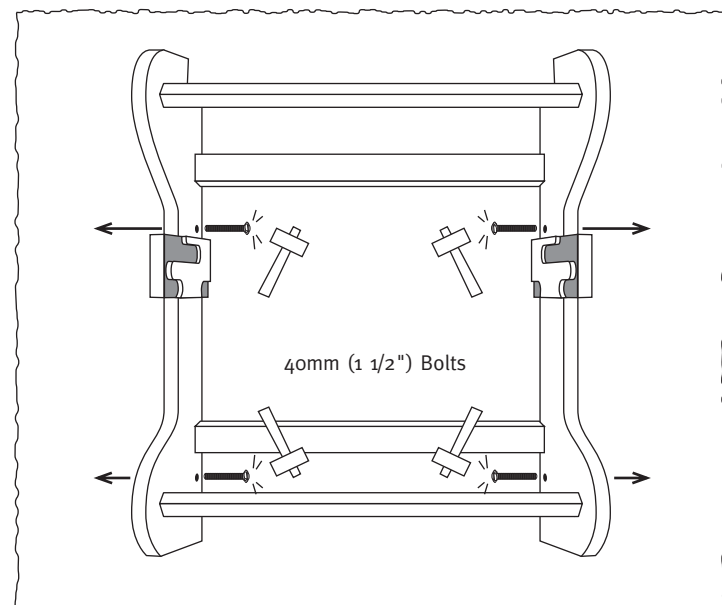


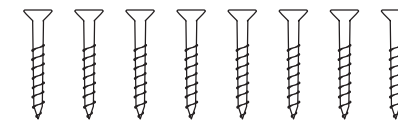
ASHFORD RIGID HEDDLE LOOM STAND



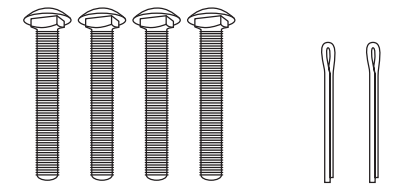
If your loom has not been pre-drilled, see back of instructions template for hole drilling in loom sides.



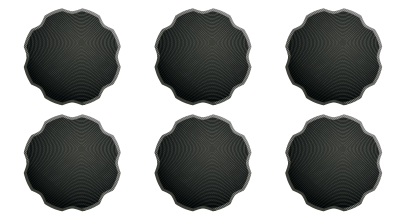
45mm (1 3/4") Screws



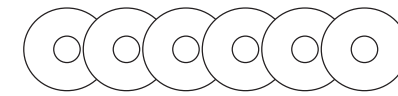
32mm (1 1/4") Screws



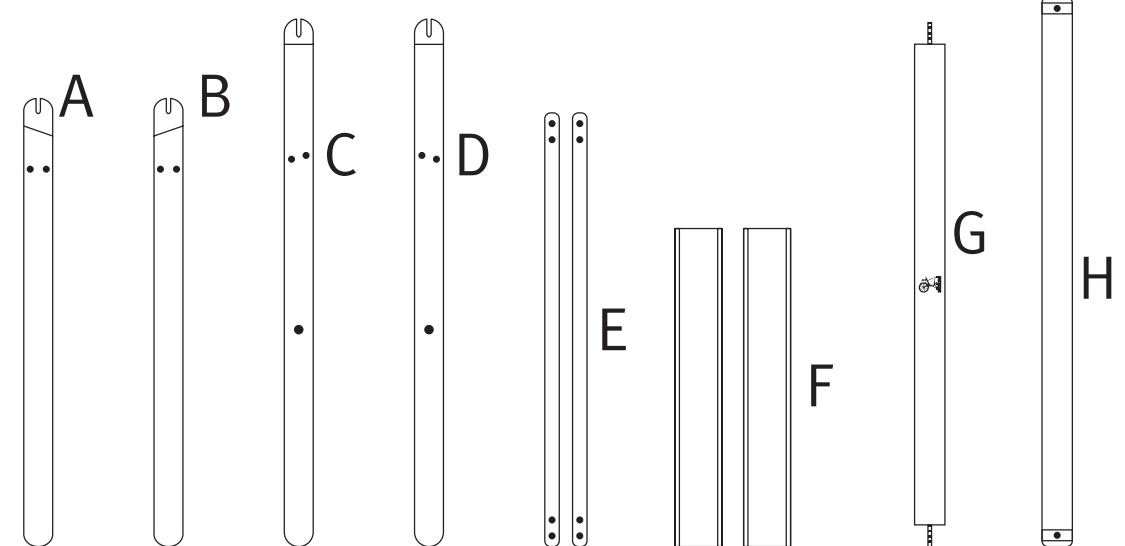
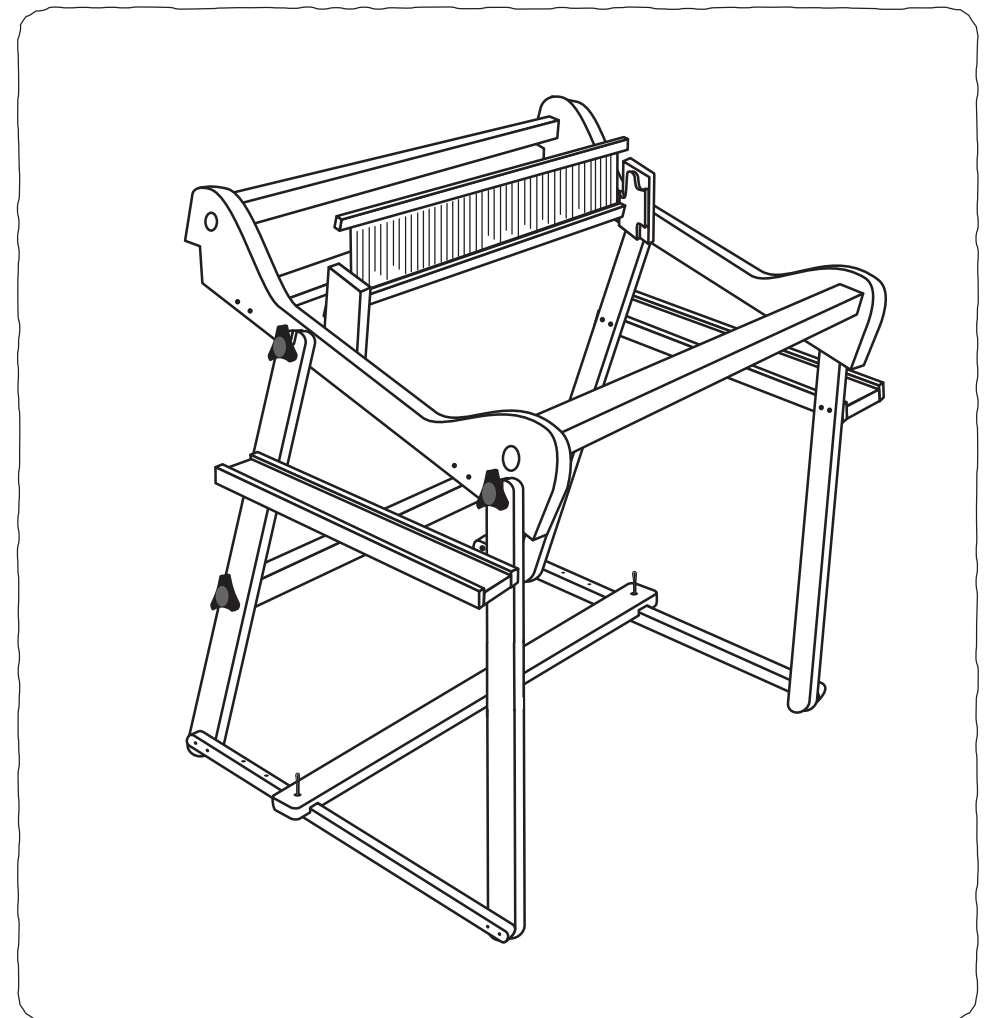
40mm (1 1/2") Bolts Pins



Handles



Washers



- PARTS**
- A - Front Right Leg
 - B - Front Left Leg
 - C - Back Right Leg
 - D - Back Left Leg
 - E - Bottom Rails
 - F - Shelf
 - G - Back Rail
 - H - Foot Rest

Ashford Handicrafts Ltd.
Factory and Showroom: 415 West Street,
PO Box 474, Ashburton, New Zealand
Telephone 64 3 308 9087
Facsimile 64 3 308 8664
Email: sales@ashford.co.nz
Internet: www.ashford.co.nz

Ashford Guarantee
Thank you for purchasing this Ashford product. In the unlikely event there is any fault in manufacture we will replace the item. To validate our guarantee please visit our website or write to us.
Please also join our Ashford Club for the Wheel Magazine, competitions and more at www.ashfordclub.co.nz