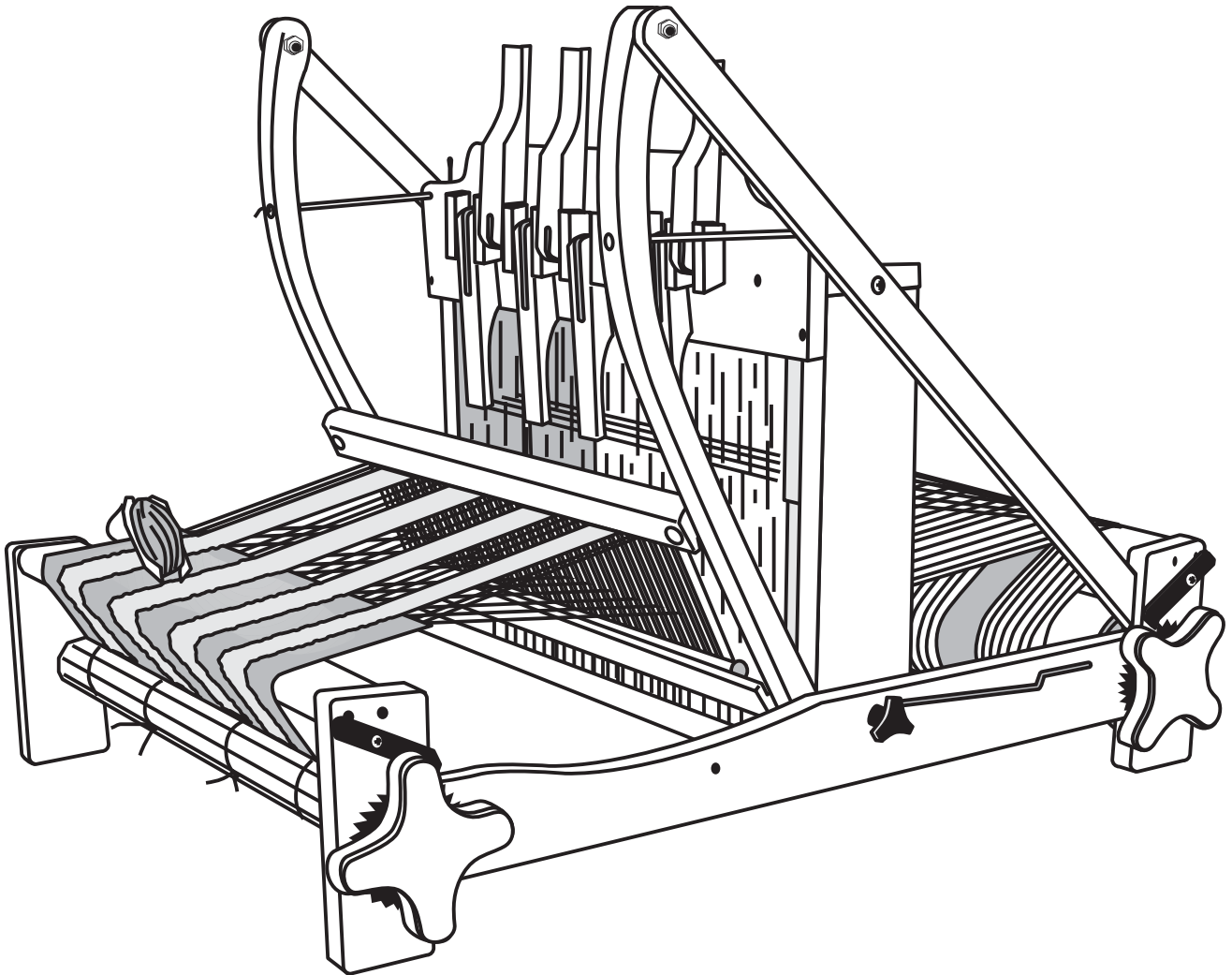


# ashford

INSTRUCTIONS

## 4 to 8 SHAFT CONVERSION KIT

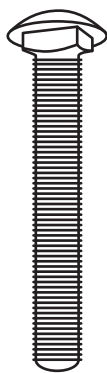
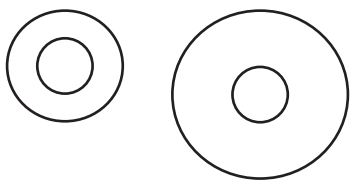
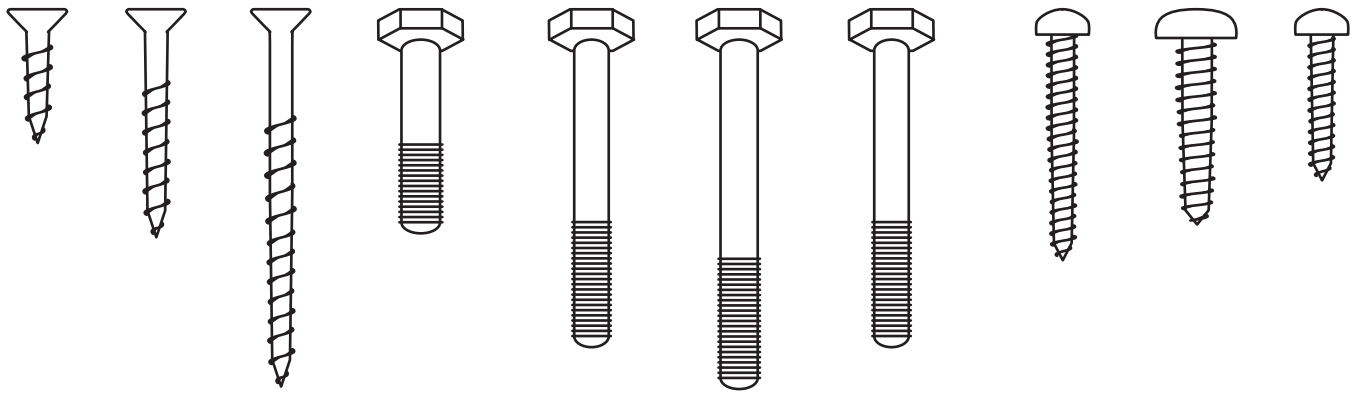
410MM / 610MM / 800MM  
(16") (24") (32")



Ashford Handicrafts Ltd.  
Factory and Showroom: 415 West Street,  
PO Box 474, Ashburton, New Zealand  
Telephone 64 3 308 9087  
Facsimile 64 3 308 8664  
Email: sales@ashford.co.nz  
Internet: www.ashford.co.nz

Ashford Guarantee  
Thank you for purchasing this Ashford product. In the unlikely event there is any fault in manufacture we will replace the item. To validate our guarantee please visit our website or write to us.  
Please also join our Ashford Club for the Wheel Magazine, competitions and more at [www.ashfordclub.co.nz](http://www.ashfordclub.co.nz)

# REAL SCALE HARDWARE.



Please note we have now changed tri knob to round knob.

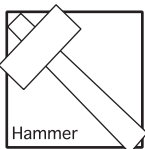
## TOOLS



Screwdriver



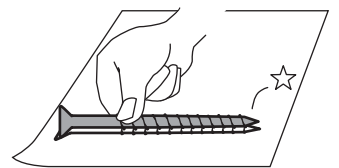
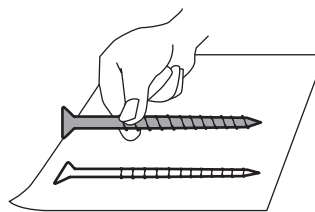
CandleWax



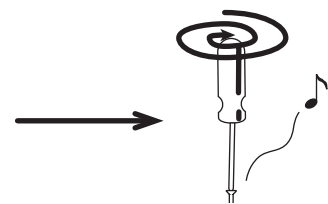
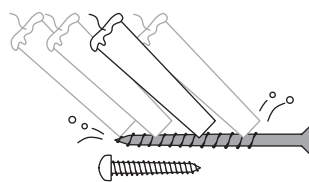
Hammer



## Hint 1



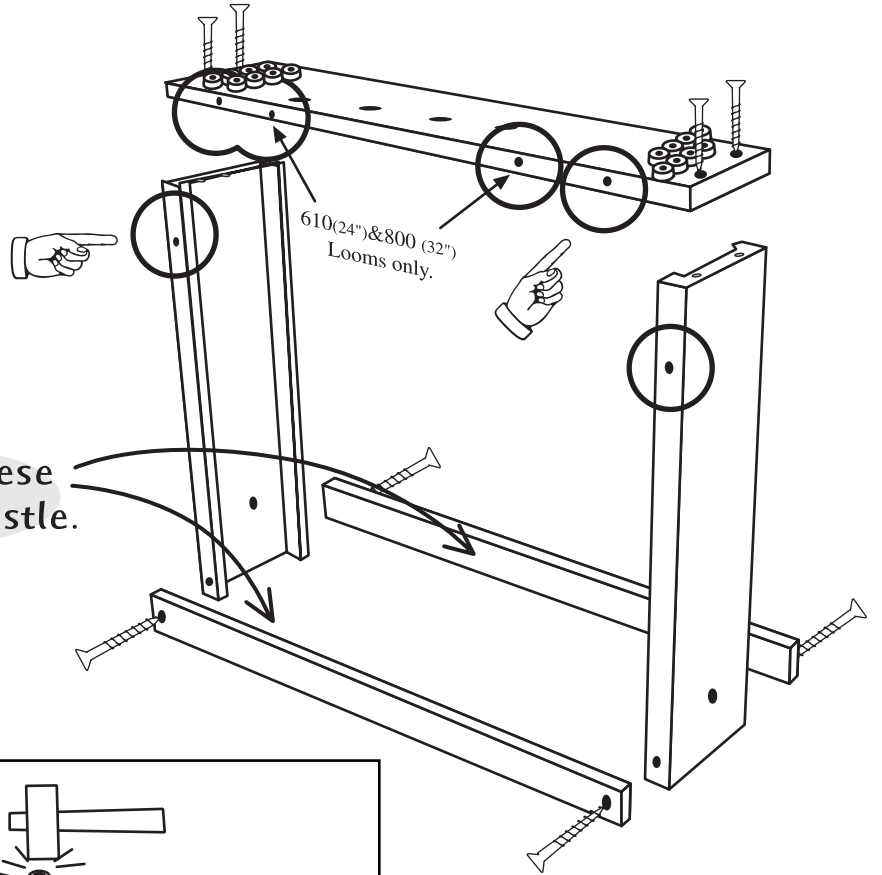
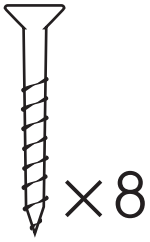
## Hint 2



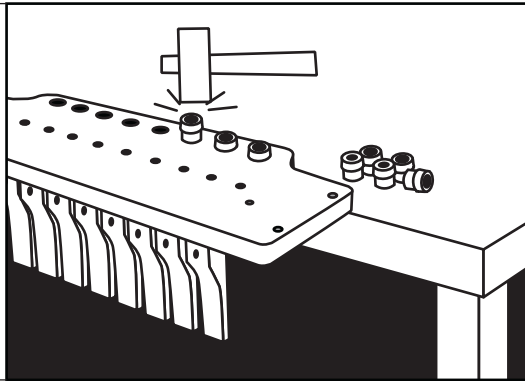
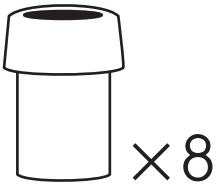
# 4 to 8 shaft conversion Kit

1

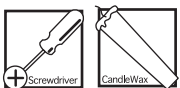
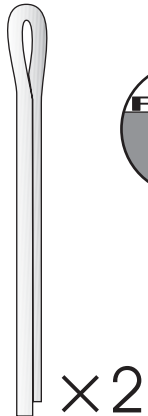
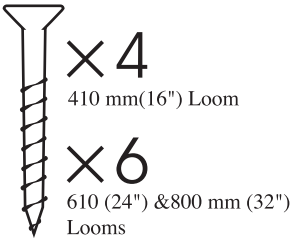
**!Check**



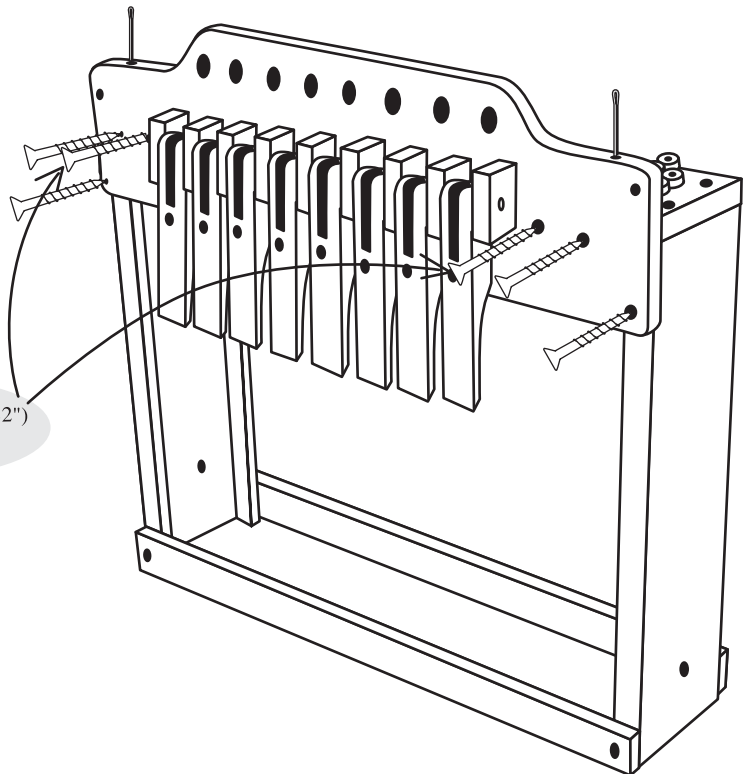
2



3



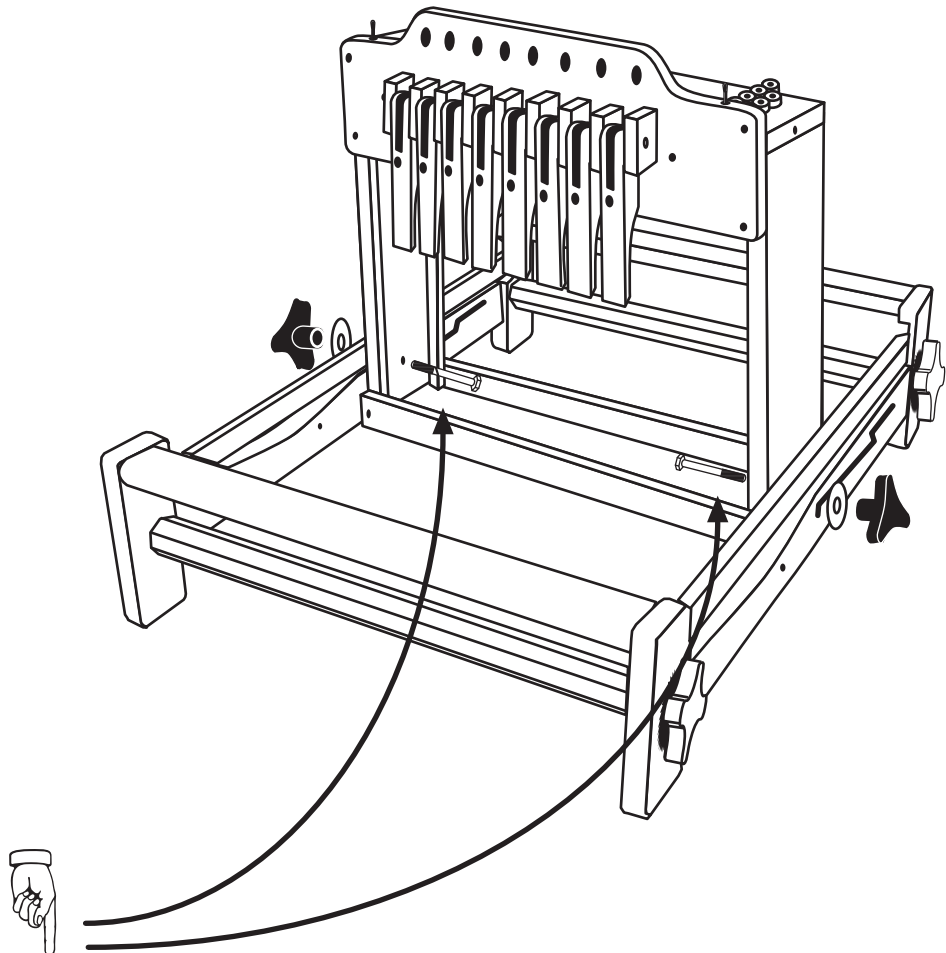
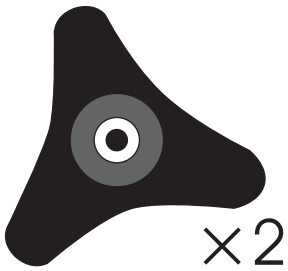
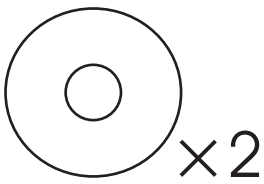
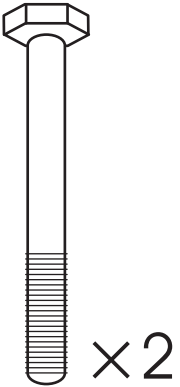
610(24")&800 (32")  
Looms only.



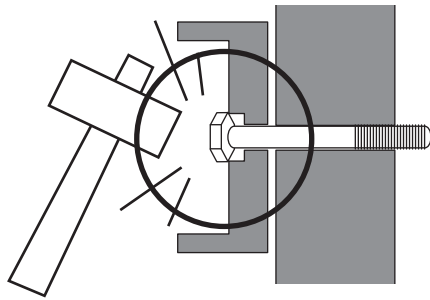
# 4 to 8 shaft conversion Kit

4

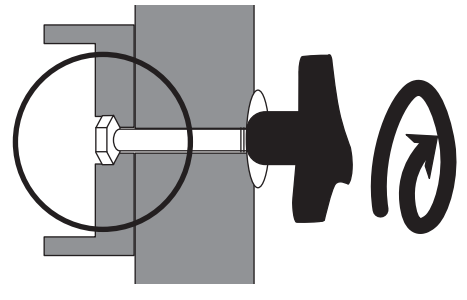
!Check



1.

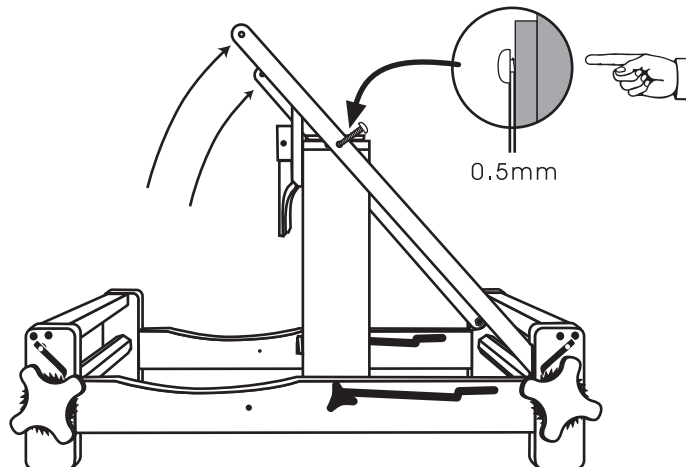
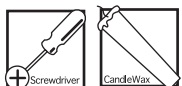
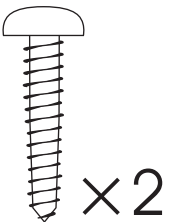


2.



5

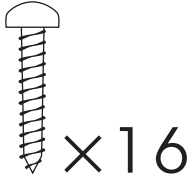
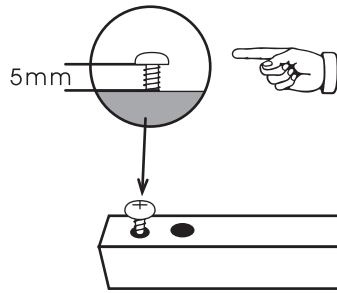
!Check



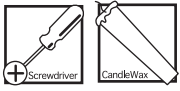
# 4 to 8 shaft conversion Kit

6

!Check



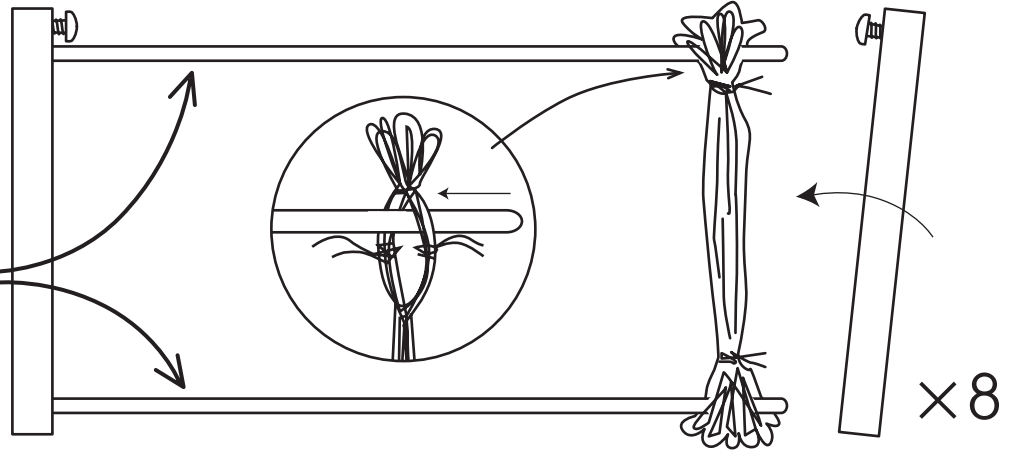
x16



7

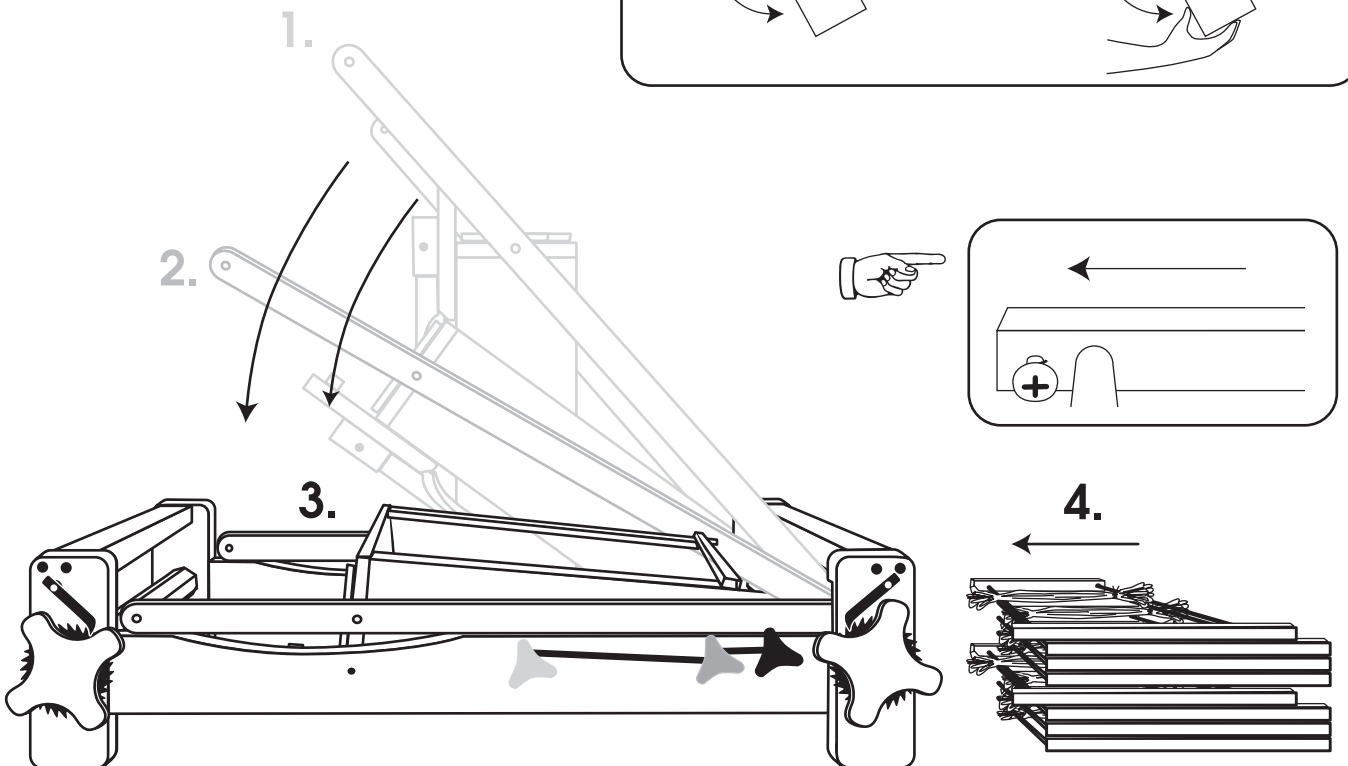
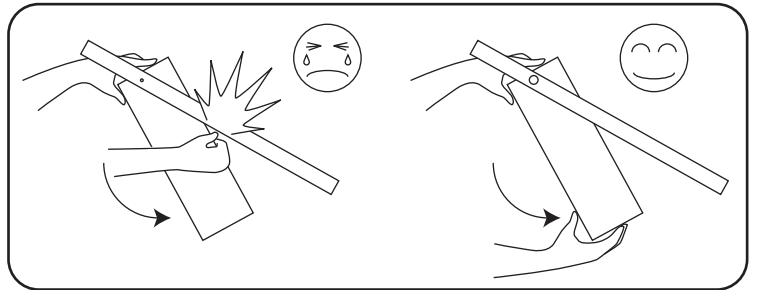
!Check

Re-use these metals.



8

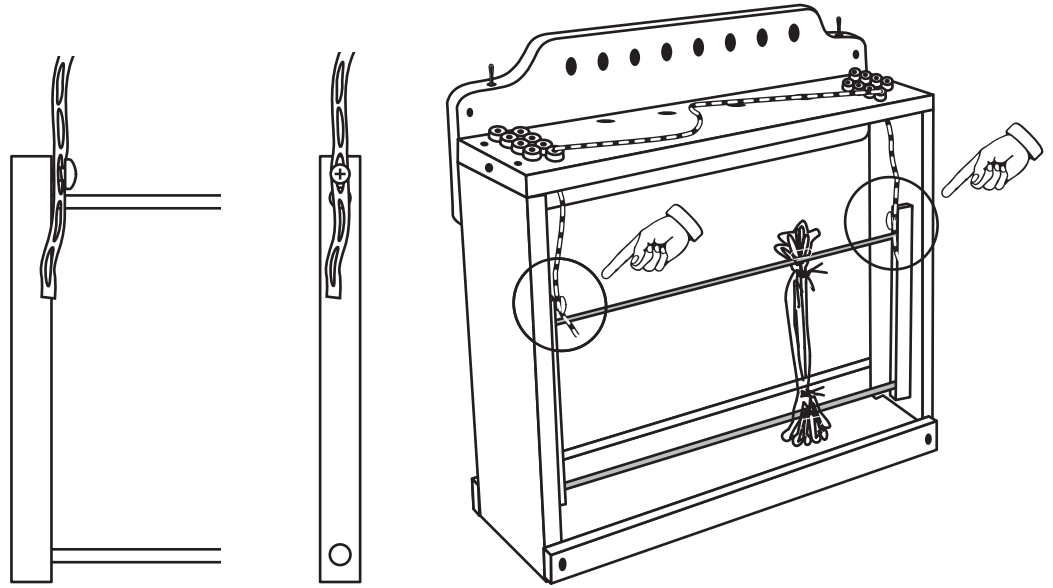
!Check



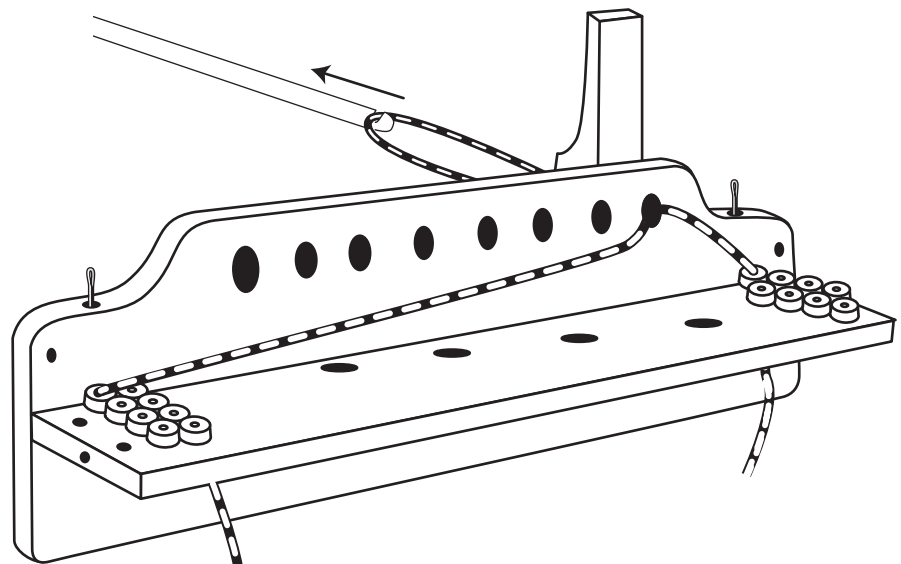
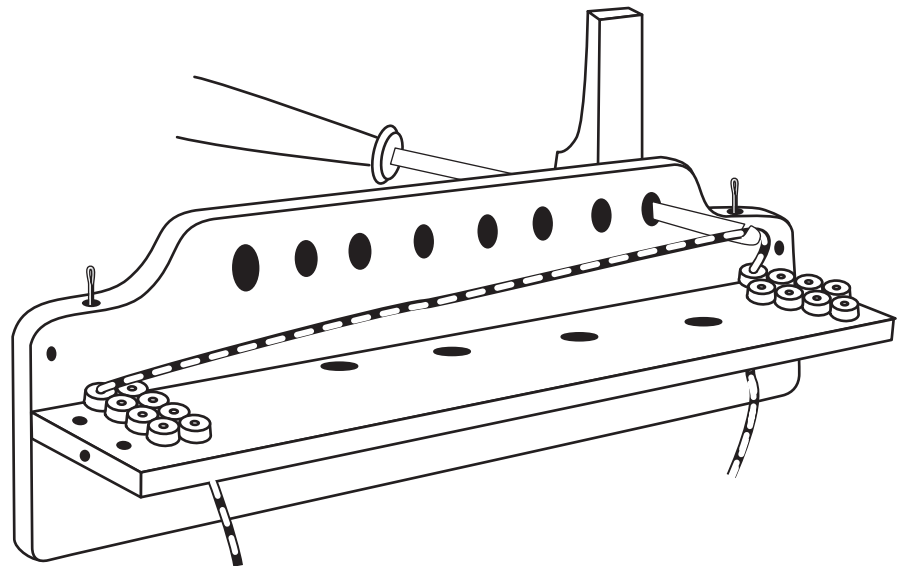
4 to 8 shaft conversion Kit

9

!Check

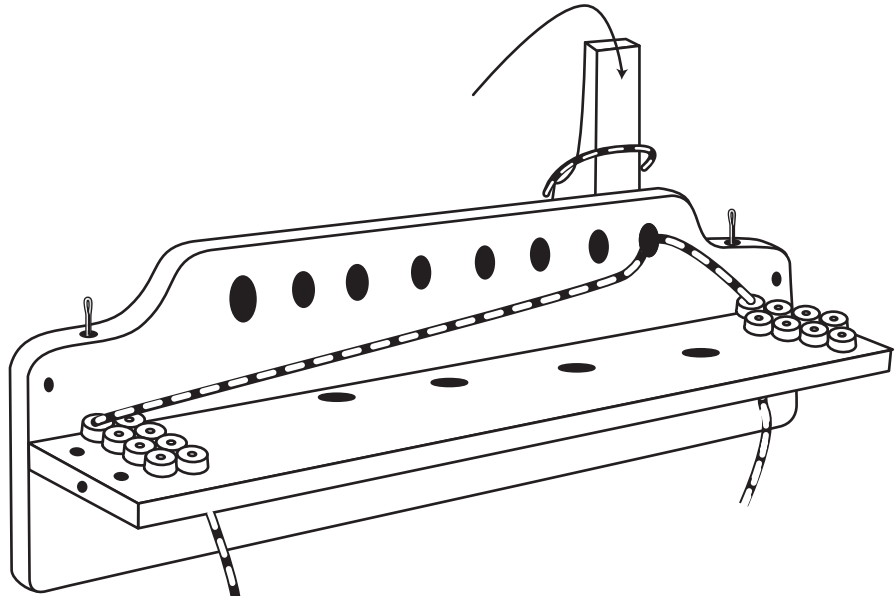
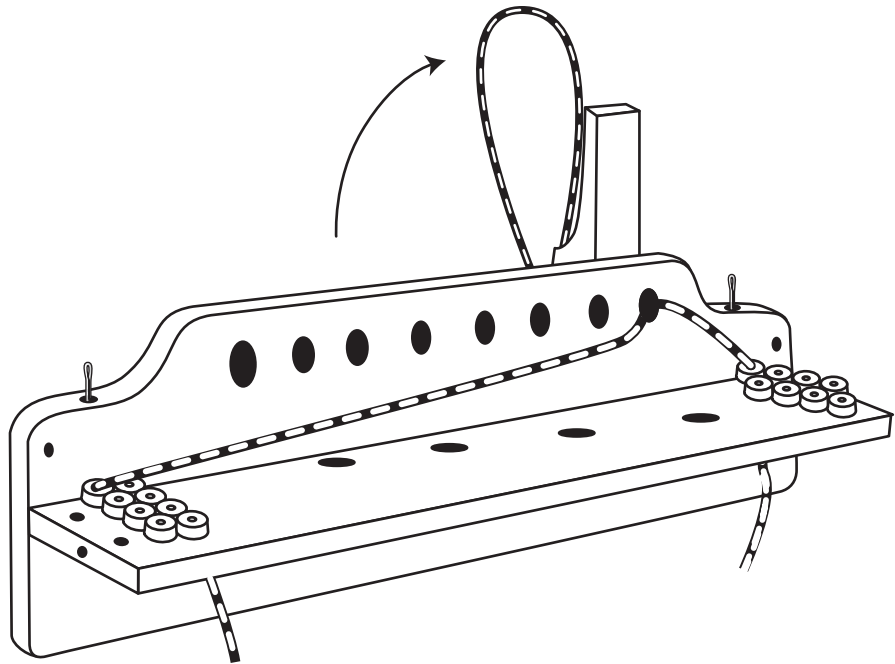


10



# 4 to 8 shaft conversion Kit

11



12

