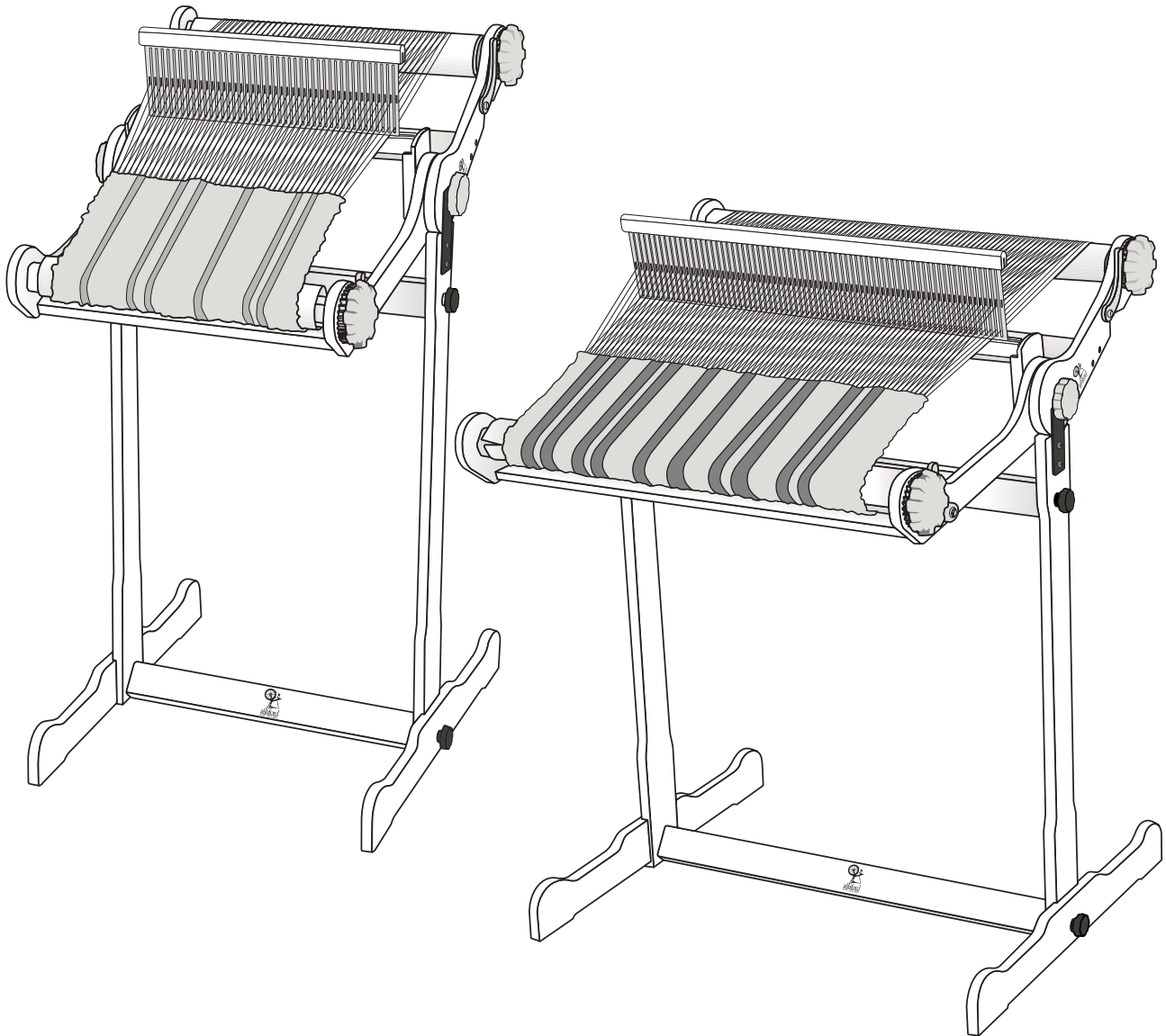
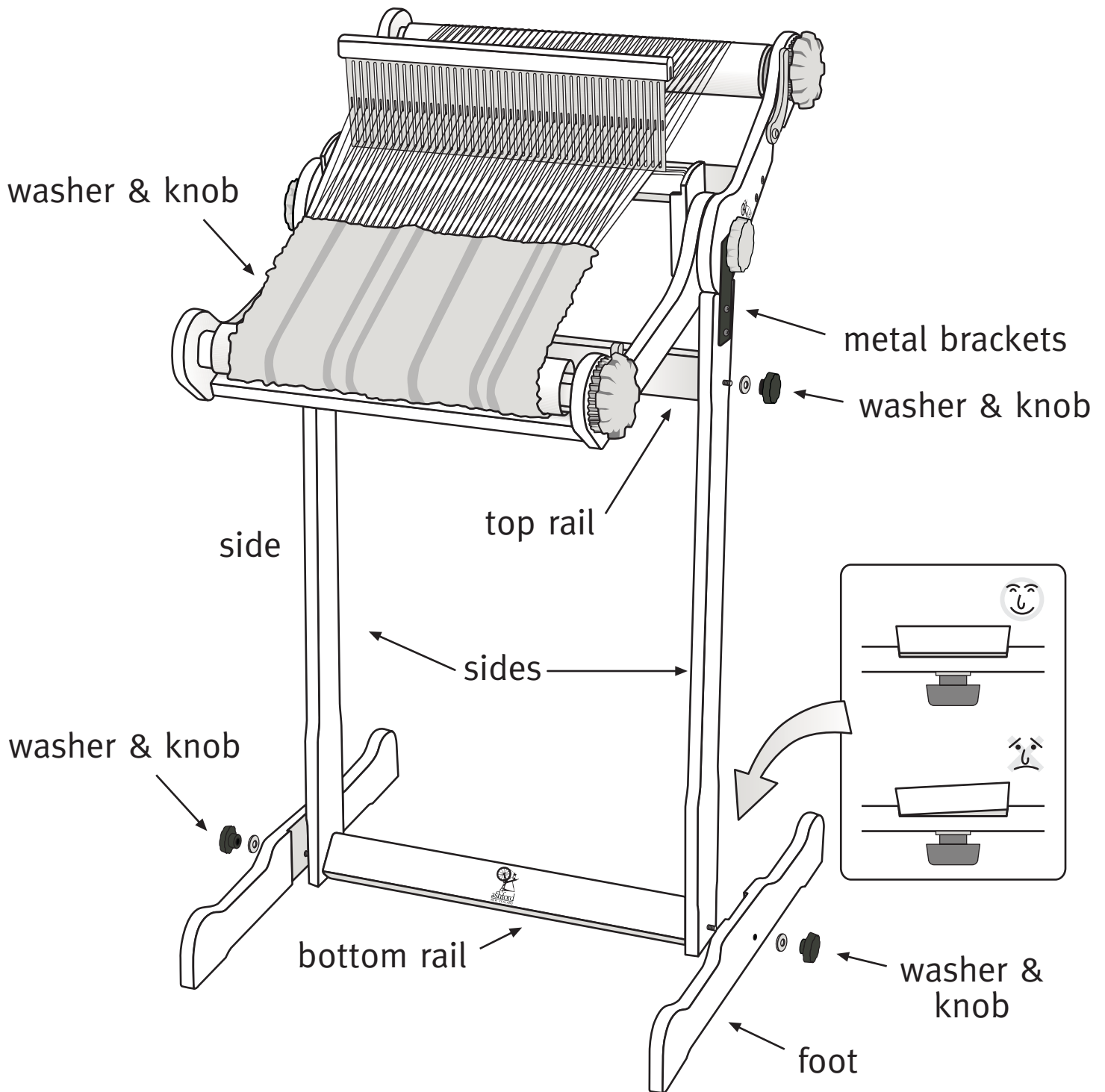


KNITTERS LOOM STAND
30cm(12ins) and 50(20ins)





- 1 Attach the base rail (with the Ashford logo) to one side and one foot and secure with a washer and knob. Note the metal bracket faces out and the tapered side fits snugly into the tapered rebate in the foot. Tighten the knobs to make the joint tight.
- 2 Secure the top rail to the same side with a washer and knob.
- 3 Attached the other side and foot. Secure with a washer and knob.
- 4 Loosen the central knobs on your Knitters Loom about 2 turns or sufficient to allow the bolts to fit down into the slots in the metal brackets. Tilt the loom to a convenient weaving angle and tighten the knobs.