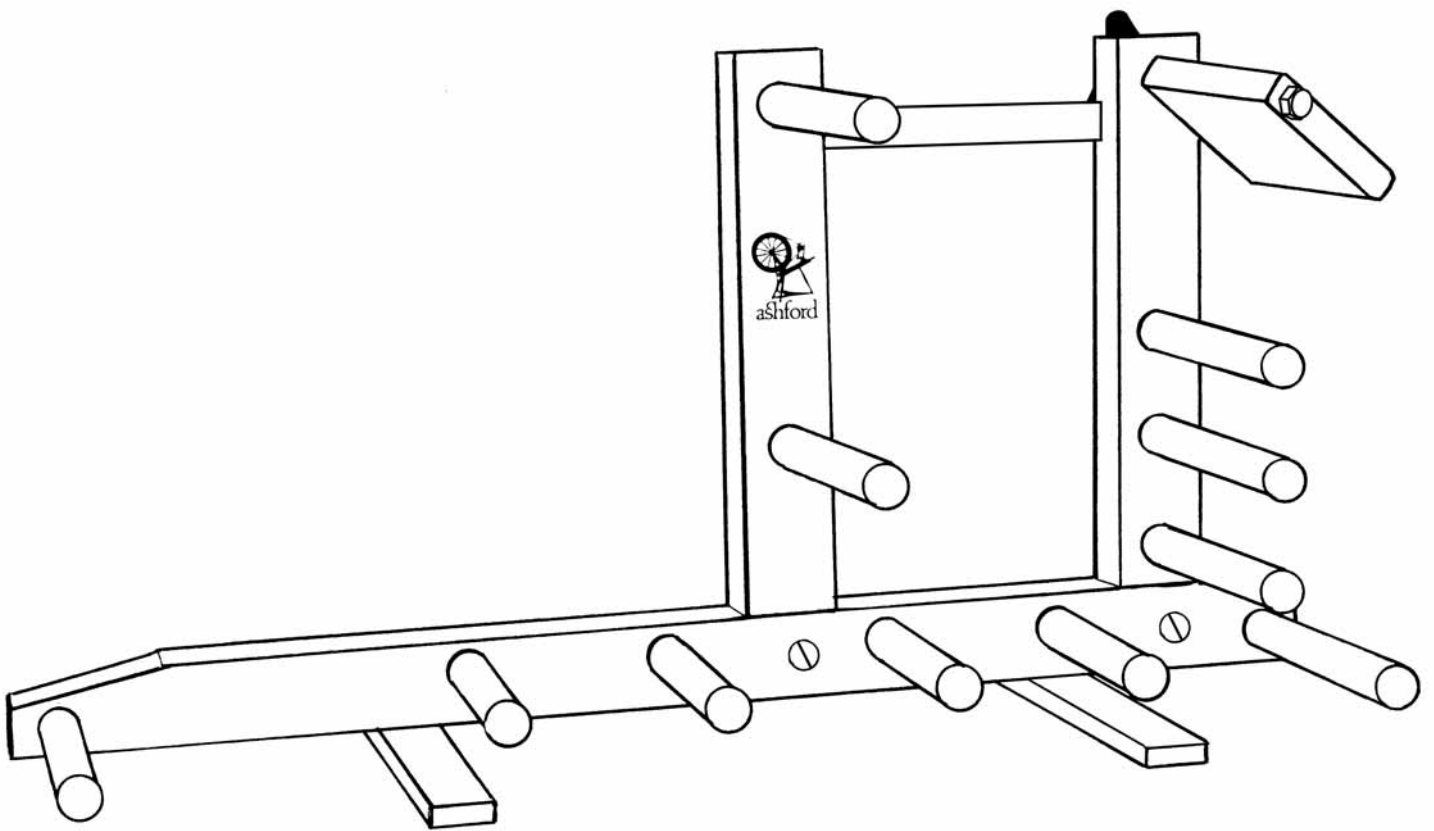


## INKLE LOOM



# Ashford Inkle Loom

WARP LENGTH: 3.4m / 134"

WIDTH: 75mm / 3"

## INKLE BANDS

These colourful braids are very strong and have many uses. They make belts, ties, guitar straps, braiding for homespun's and trims for joining pieces of weaving.

## INKLES

These have a dominant warp face, ie the long-way threads show. The warp is packed so close that the weft cross-way thread, is not visible.

## THE SHED

The shed is obtained by the use of leashes. A thread NOT going through a leash is called "open" thread.

Shed 1            Is made by lifting all the open threads  
Shed 2            Is made by pushing down on all the open threads

Changed sheds: When doing this, rhythm is important. Here is an easy way to develop it. When weaving from left to right, push down the open threads with the right hand. When weaving from the right to left, lift the open threads with either left or right hand.

## THREADS TO USE

Use strong, smooth and colourful threads. Mercerised cotton is good. Most wool is suitable but avoid wool that is soft or hairy (these tend to cling to each other and make it difficult to obtain a clean open shed). Textured and metallic threads, silk and nylon add variety. Be experimental but make sure all threads have about the same amount of elasticity, otherwise the surface will be uneven.

## WIDTH OF WARP

Because the weft thread is pulled tight, the Inkle will be reduced to about half the original width of warp. However, if you want to increase or decrease the width at any stage, this is done by the amount of tension on the weft thread.

## SHUTTLE

A Belt Shuttle with a sharp edge for beating is included in the kit.

## TENSION BLOCK

This block is used to keep the warp under tension when weaving. When moving the weaving around the loom, loosen the block to release the tension. Use two hands to advance the warp. When using a full length warp take care to move the weaving little by little. Do not pull too tight! You will break the pegs!

## FINISHING THE FRINGE

The last weft thread may be darned in, leaving a fringe. Warp ends may be tied in small overhead knots. Using both hands, twist the bundles of threads to the right, between thumb and finger, then warp these twisted threads together in opposite direction.



## FINISHING THE WOOD

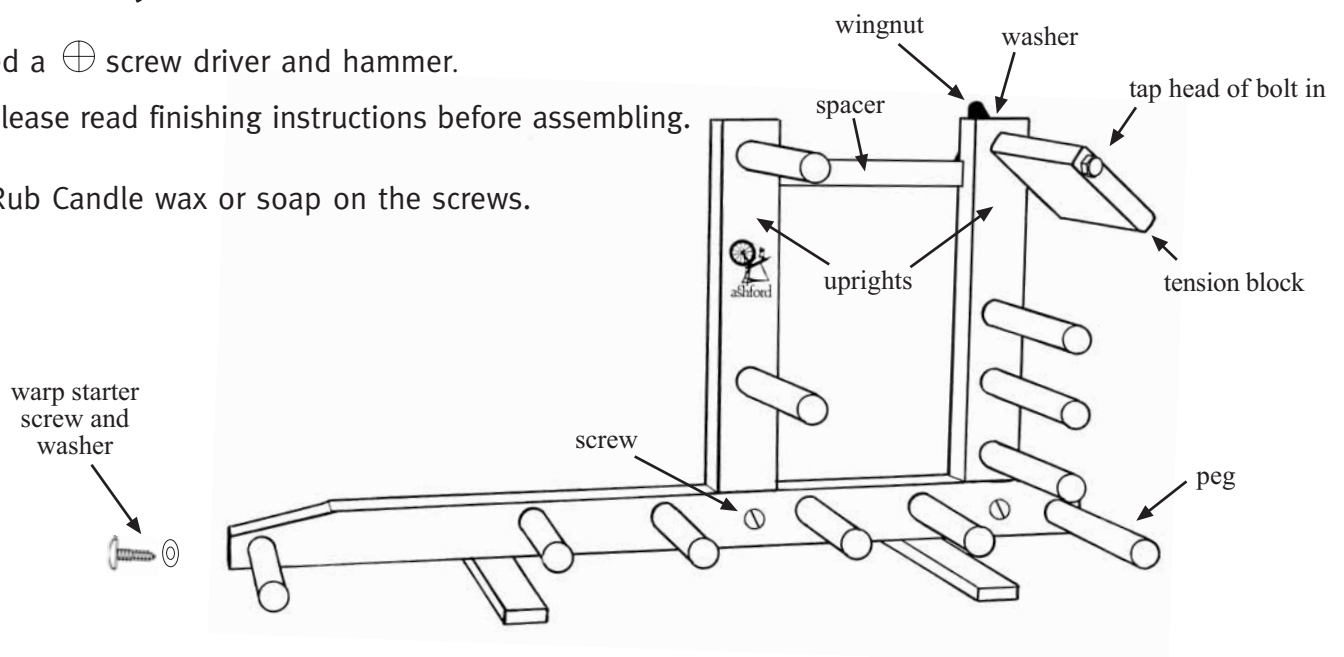
The kiln dried silver beech timber should be first sanded smooth and then sealed before assembly. This protects it from climatic changes and staining and enhances its character and beauty. Our natural Ashford Wax Finish Kit is ideal for this purpose and is available from your local Ashford dealer.

# Assembly

You need a ⊕ screw driver and hammer.

**NOTE:** Please read finishing instructions before assembling.

- 1 Rub Candle wax or soap on the screws.



- 2 Attach the feet to the base with screws. Not too tight!
- 3 Twist feet parallel to base. Glue the spacer dowel between the 2 uprights, then immediately glue uprights in place and secure with screws.
- 4 Glue the 11 pegs into the holes. Tap firmly with a hammer.
- 5 Secure the tension block in place with bolt, washer and wing nut. Note: tap the head of the bolt into the wood.
- 6 Wait 24 hours for the glue to set hard.
- 7 Insert the small screw and washer into the pilot hole in the front of the base. Use this to hold the warp thread when warping.

## WARPING THE LOOM

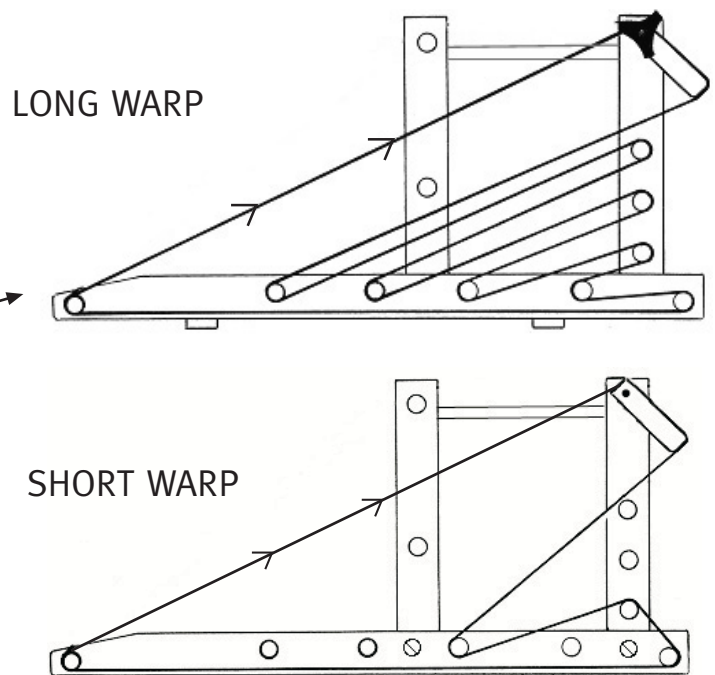
Wrap the warp thread around the handy warp starter.

Tension block in this position to start

### Round 1

Take the thread around the pegs as shown

Start here and change colours here

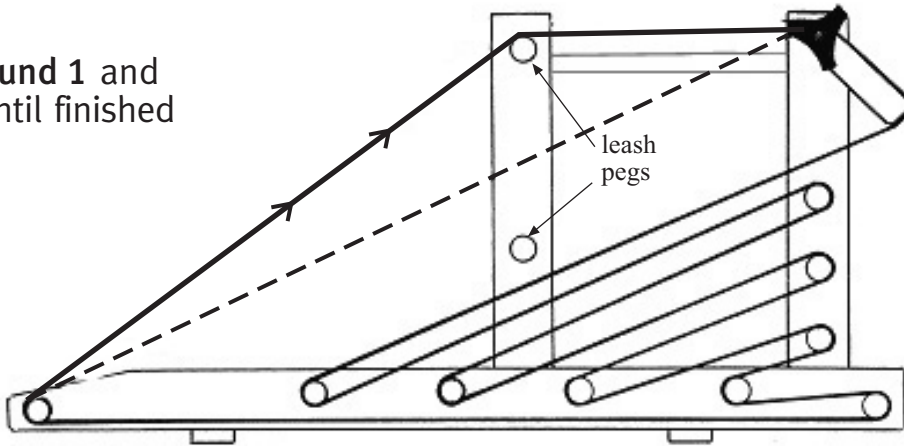


## Round 2

Take the thread around the pegs as shown. The thread goes up over the top peg and around the tension block.

Tension block in this position to start

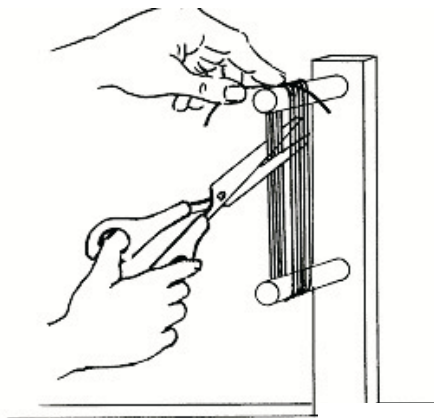
Repeat **Round 1** and **Round 2** until finished



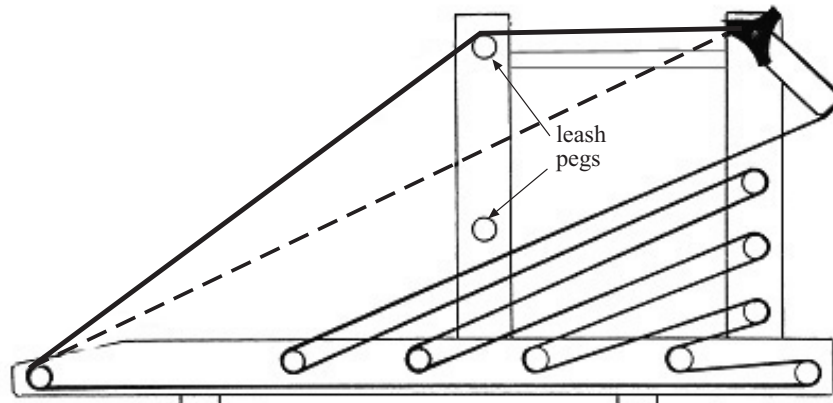
Undo the first warp thread from the warp starter. Tie to the end thread. Changing colours - tie last thread to next thread at the front.

## MAKING THE LEASHES

Use string or fine strong cotton. Wind the string around the two leash pegs as shown.

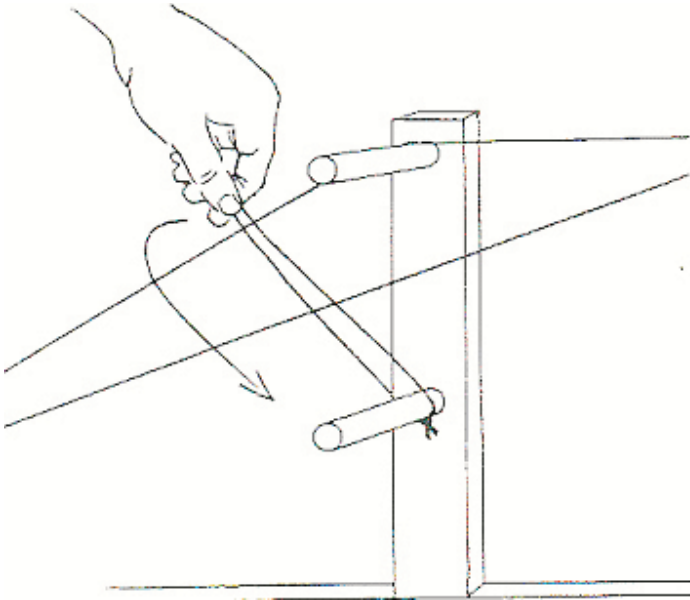


Cut the string as shown.

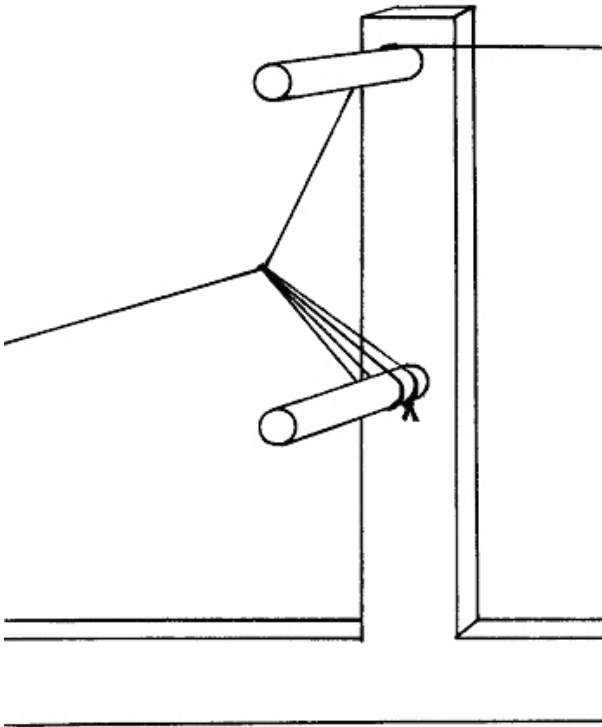




Fold each leach in half and tie a knot 1cm (3/8") from the end.



Take the leach over the lower peg, up between the centre threads, over a top thread and down and around the same peg.

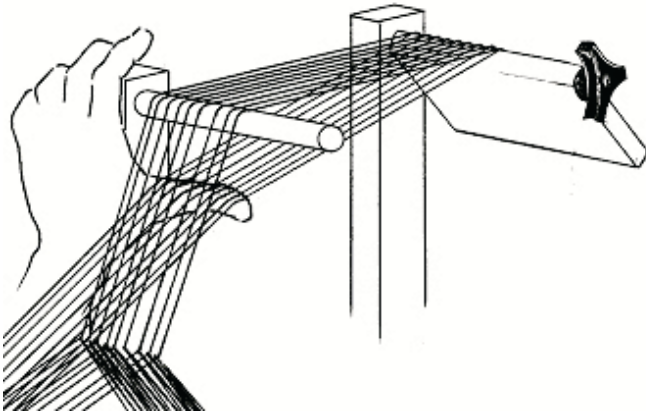


The idea is to attach a leach to all the top threads. Continue placing a leach between each centre thread in the same way.

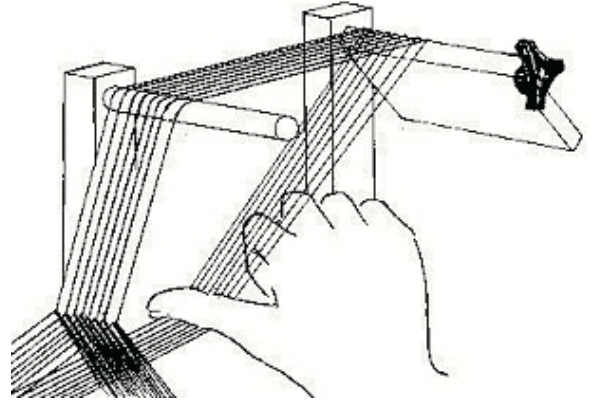
# MAKING THE SHED

The shed is the space between the two layers of warp.

## SHED 1



## SHED 2



## GET READY TO WEAVE

Open out the feet so the loom stands upright. Clamp the loom to the table.

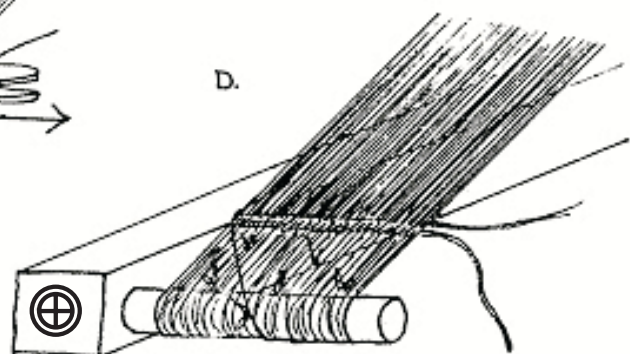
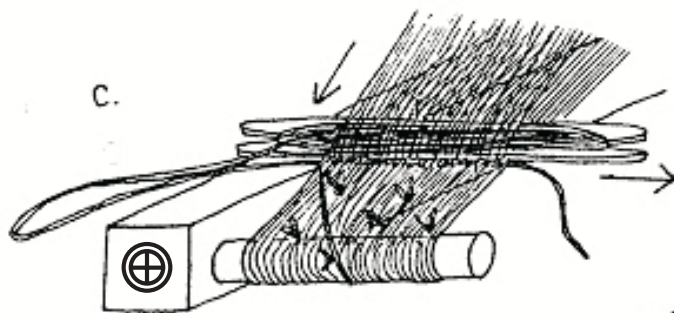
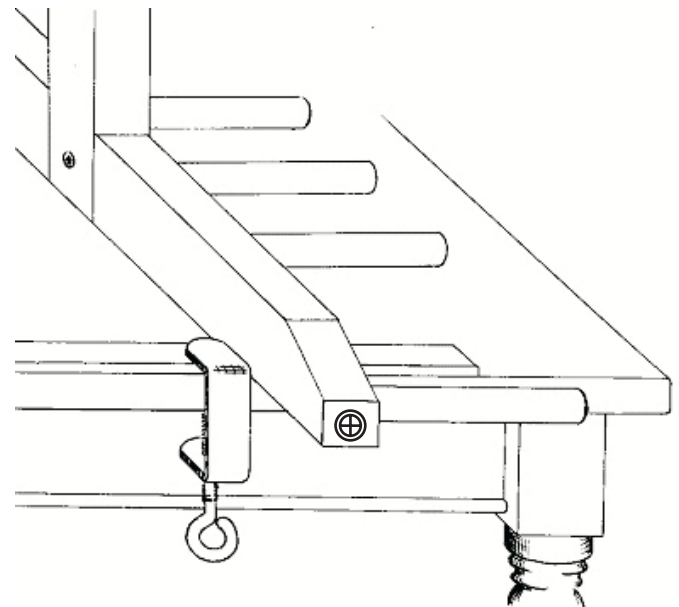
## SHUTTLE

WIND the weft thread onto the shuttle. Usually the weft thread is the same colour as the edge threads.

## **TIGHTEN THE WARP BY ADJUSTING THE TENSION BLOCK.**

## WEAVING

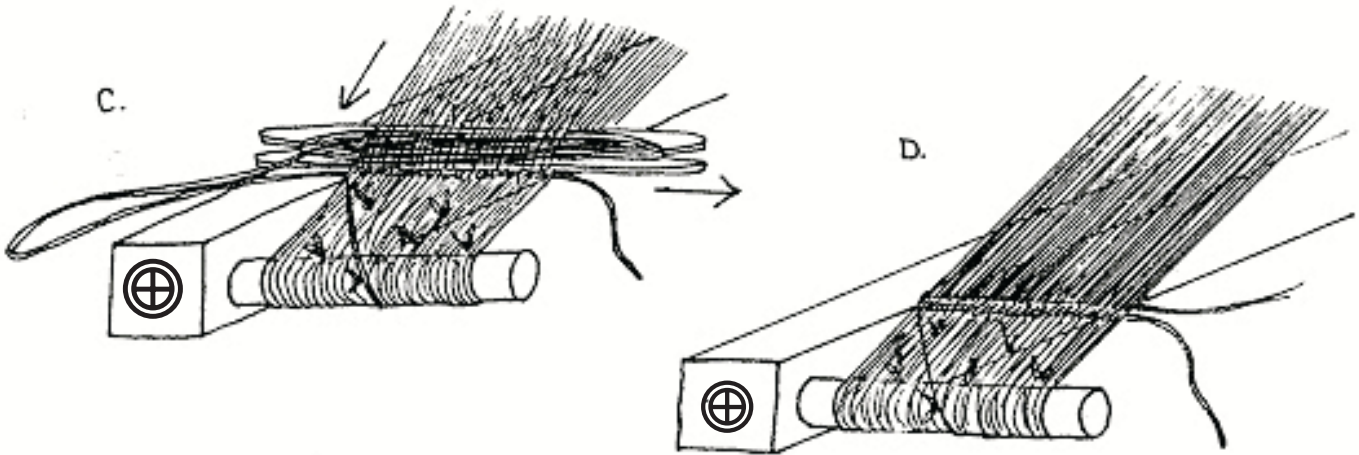
Make Shed 1. Pass the shuttle into the space between the threads. Pull the shuttle down towards the front peg almost against the knots. Pull the shuttle out of the space. Leave about 10cm of weft thread hanging out.



Weft thread hanging out

## MAKE SHED 2

Pass the shuttle into the space between the threads. Pull the shuttle towards the last row firmly. Do not move the first row forward. Pull the shuttle out of the space – pull the weft thread tightly. The weft threads will move together closely so you cannot see the weft at all through the warp.

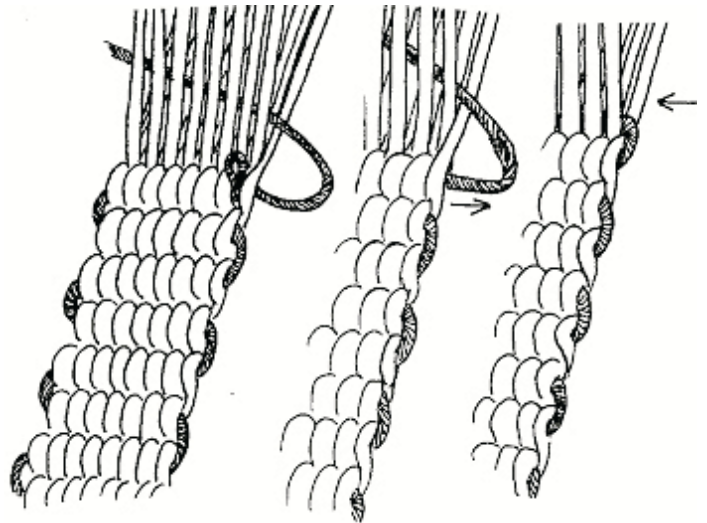


## KEEPING THE EDGES STRAIGHT

The first 2-3cm usually look poor because the tension isn't right yet and you may have some crossed threads. Don't worry! This part can be unravelled when the finished braid is cut off the loom.

From now on it's possible to keep the edges beautifully straight by following simple rules:

- 1) Keep the warp very tight. A high tension makes the whole braid and edges look better when finished.
- 2) Try to keep the same tension, on the weft as well. Make it quite tight so that the warp threads slip on top of each other.
- 3) Everytime you pull the shuttle out of the shed, before you tighten the weft, pull the previous weft thread again. That will even out the little loop that occurs between the two outer warp threads, which is essential when it comes to making even edges.



## MOVING THE WARP

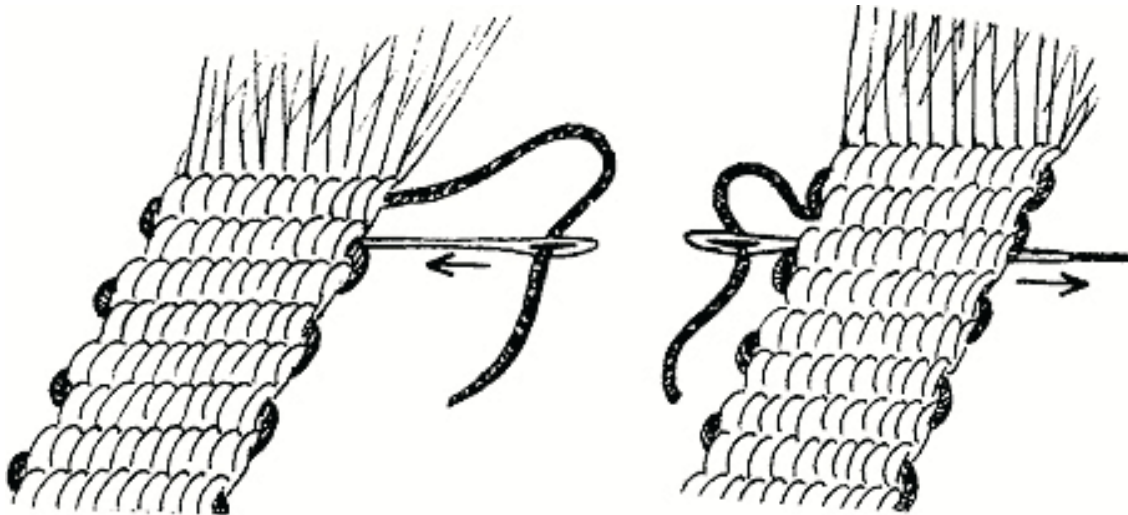
Release the wing nut. Move the tension block down. The warp will slacken. Pull the warp forwards towards yourself until the end of the woven piece is about 5cm from the front peg. Gradually move all the threads around from peg to peg!

**TAKE CARE** when you are using the longest warp length! Do not pull too tight! You will break a peg! Tighten the tension block. **PUSH** the leashes back to their correct position.

## FINISHING

When you can't move the warp any further, weave any longer and the knots in the warp are close to the leashes, simply cut the whole thing off the loom by cutting each half of the warp a few centimetres behind the leashes. Pull the threads out off the leashes and nothing is tied to the loom.

Sew the weft back three or four sheds to lock it. Now the warp threads cannot come undone unless you cut it very close to the end of the braid. So, don't do that!



Let the ends hang loose as a fringe, plait them, twist them, tie knots in them, glue them and cut them close to the braid so you can fold the end of it or tie the ends around a piece of wood or a bell for a wall-hanging, etc etc.

There are lots of different things you can do with the ends, depending on what you like and what's the purpose of the braid.

### PATTERNS

Apart from the patterns you can get just in the way you warp, there are lots of pick-up and pick-down patterns, patterns using different colours and thicknesses of warp and weft and so on. Learn about it by talking with other weavers, reading books and experimenting yourself. There will always be something you haven't tried yet!

### WHAT DO YOU USE IT FOR?

You can make belts, ties, wallhangings, bookmarks, curtain ties, shoelaces, edging for clothes, shoulder straps, watch straps, headbands, straps for guitars and cameras, halter straps and leashes.

You can sew them together and make bags, purses, cushion covers, clothes, room dividers, tea cosies, bigger wallhangings, placemats, pot plant hangers and moccasins.

And lots more! Have fun!

Many thanks to Arne and Elsa Krogh our Ashford Distributors in Denmark for designing the new Inkle Loom. And also to their daughter Birgitte Krogh who took good care of the instructions.

Thank you all!