

## COMPLETE JUMBO FLYER UNIT



The Ashford Complete Jumbo Flyer Unit produces big soft or bulky yarns. The larger orifice and flyer hooks enable thicker and fancy/novelty yarns to pass freely on to the bobbin.

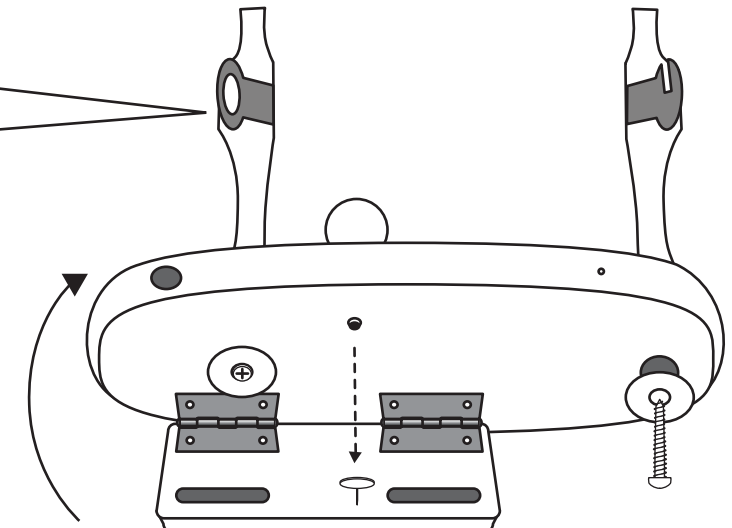
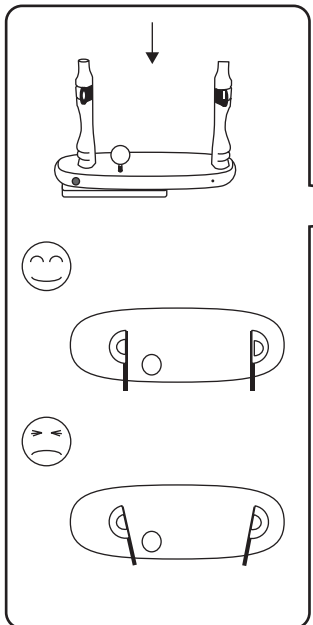
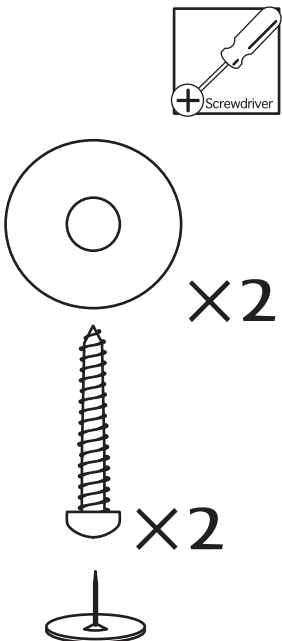
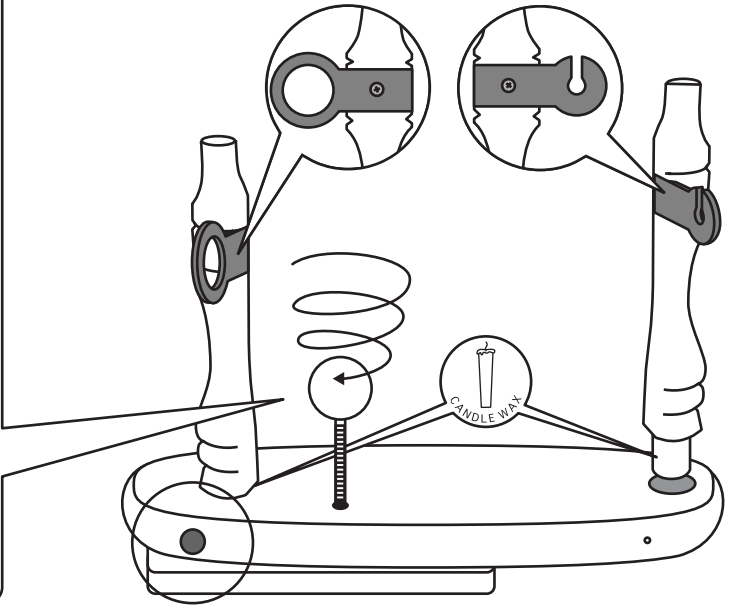
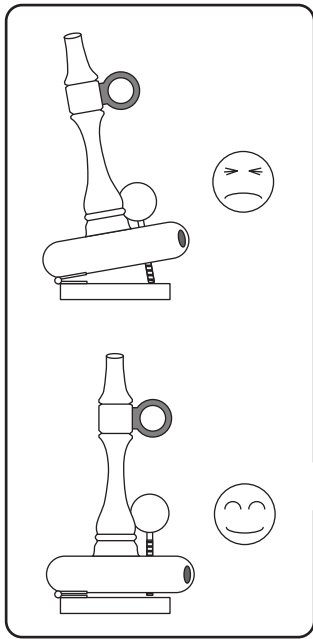
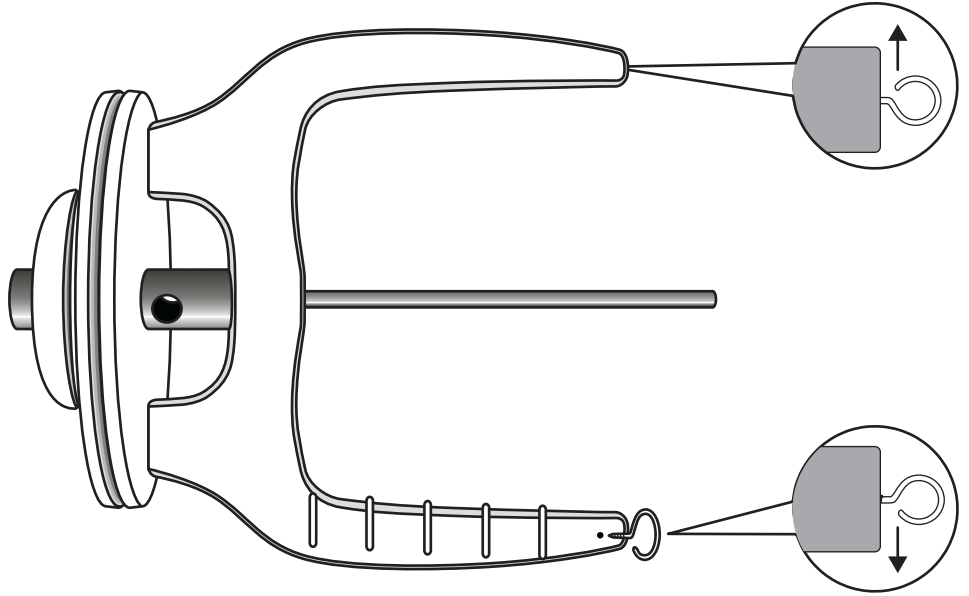
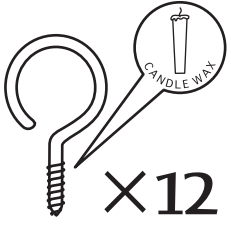
The Jumbo bobbins have a large storage capacity of up to 225g (8oz) yarn.

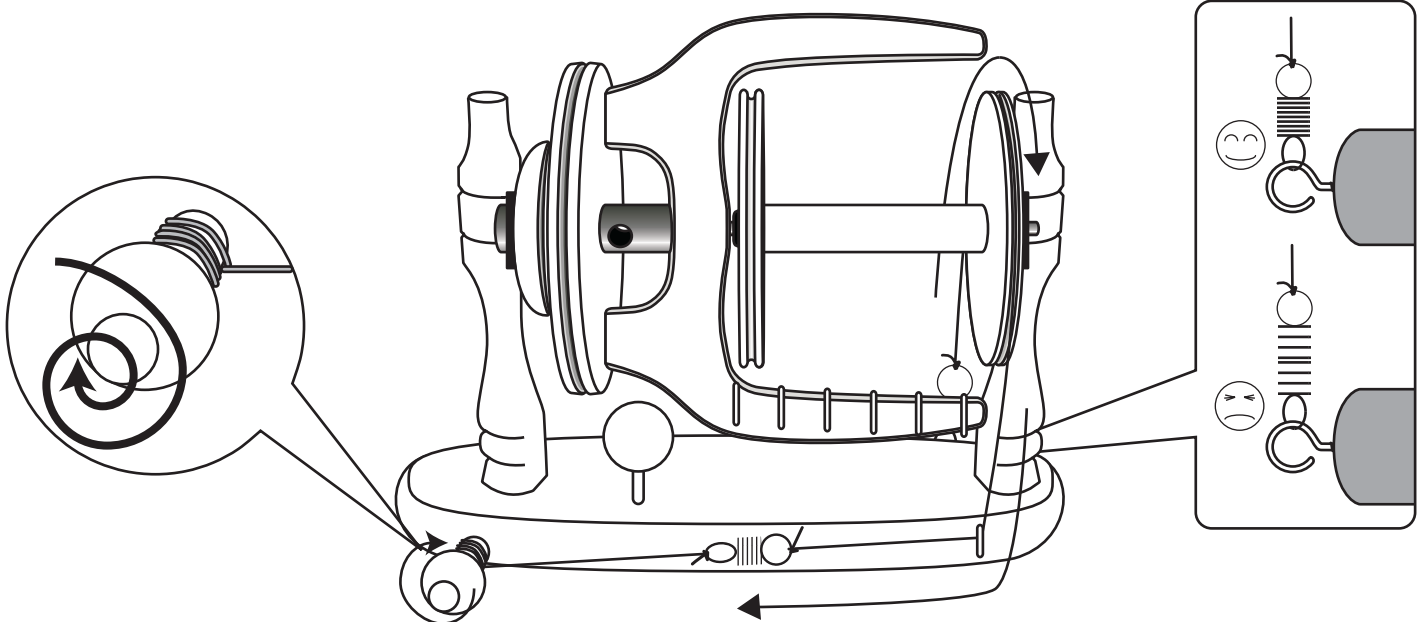
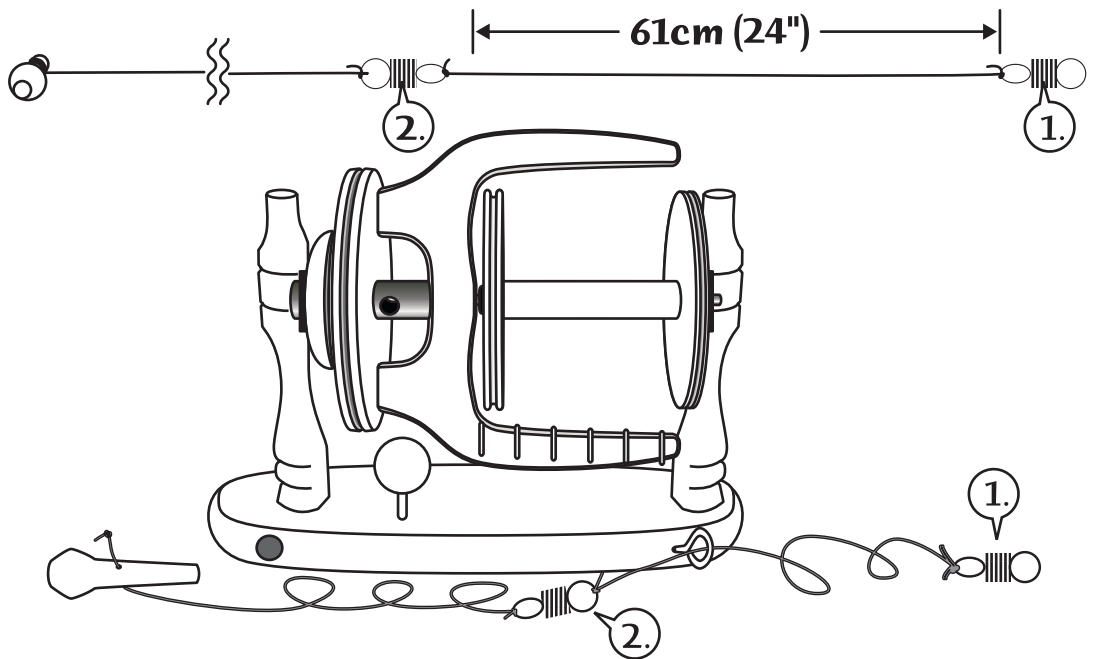
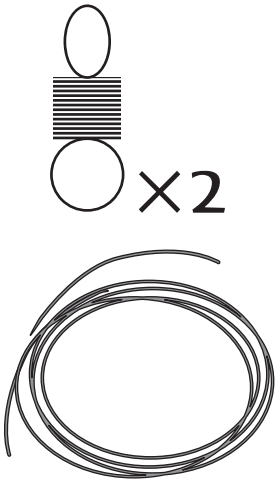
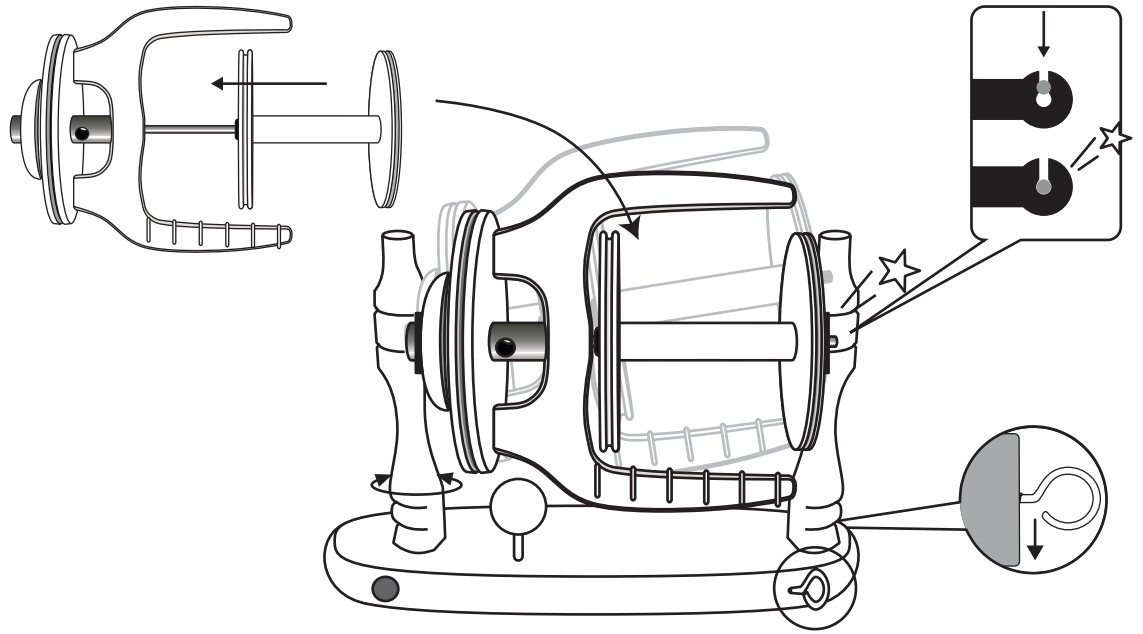
When the Jumbo-size pulley is used, the flyer rotates more slowly. This allows the spinner more time for drafting the wool and reduces the twist in the yarn.

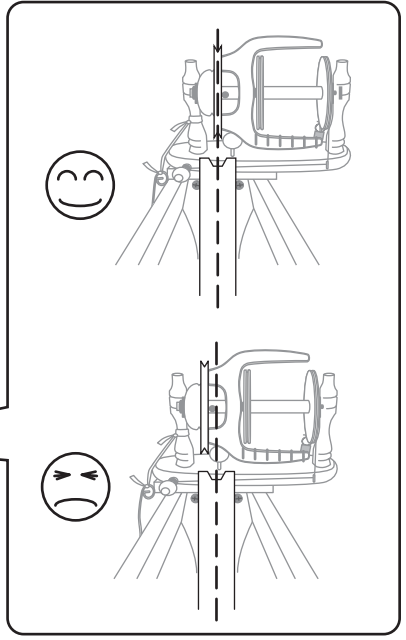
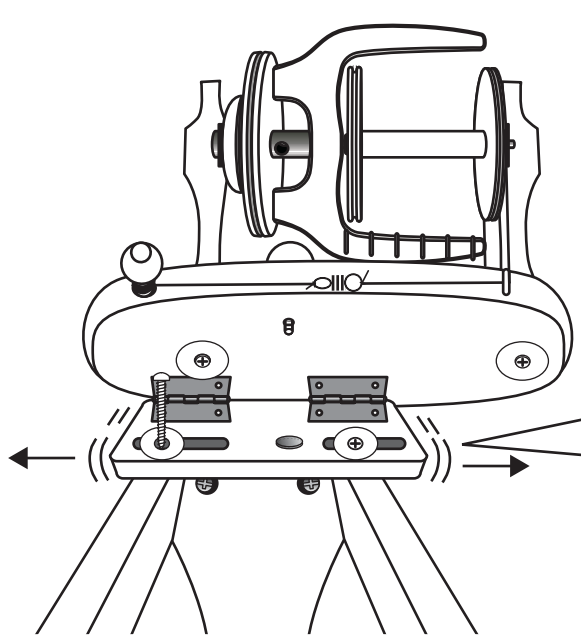
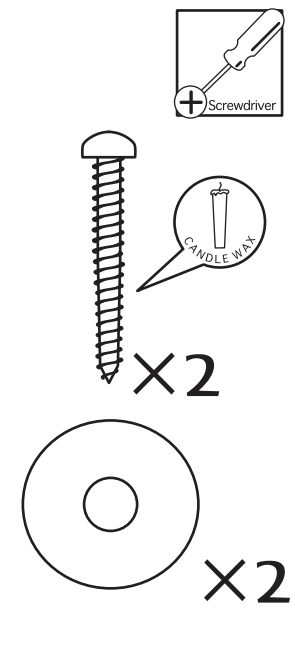
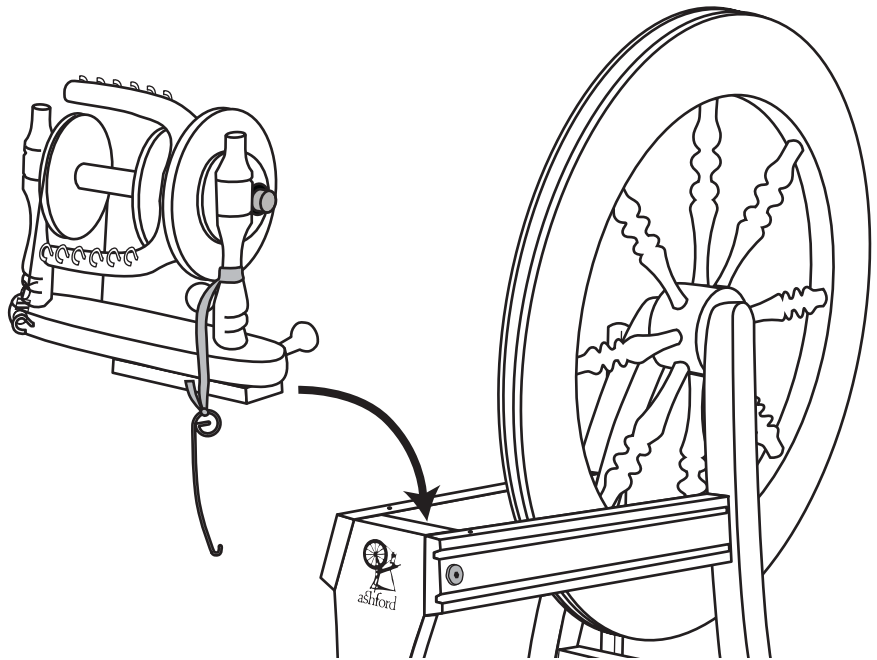
Use the Jumbo Flyer bearing reducer bush to make Jumbo and Standard flyers interchangeable. Just insert the bush into the jumbo bearing on your maid upright when you want to use your standard flyer.

### LIST OF PARTS SUPPLIED

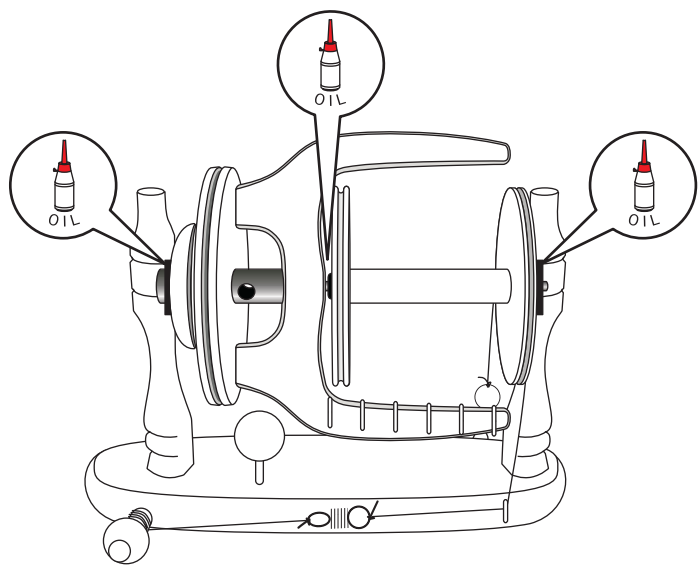
- |                              |                                          |
|------------------------------|------------------------------------------|
| 1 Threading Hook and Tape    | 1 Jumbo Flyer                            |
| 2 25mm (1") Pan Head Screws  | 1 Maid Upright with large hole           |
| 4 Large Washers              | 1 Maid Upright with small hole           |
| 2 32mm (1¼") Pan Head Screws | 1 Knob for drive belt adjustment         |
| 2 Tension Springs            | 1 Knob for brake band tension adjustment |
| 1 Screw Eye                  | 4 Jumbo Bobbins                          |
| 1 Drawing Pin                | 1 Nylon Line                             |
| 1 Maiden Bar Assembly        | 1 Small Flyer Hook                       |
| 1 Driving Band               | 1 Jumbo Flyer Bearing Reducer Bush       |
| 12 Jumbo Flyer Hooks         |                                          |







**Lubrication**



**Jumbo Flyer bearing reducer bush**

