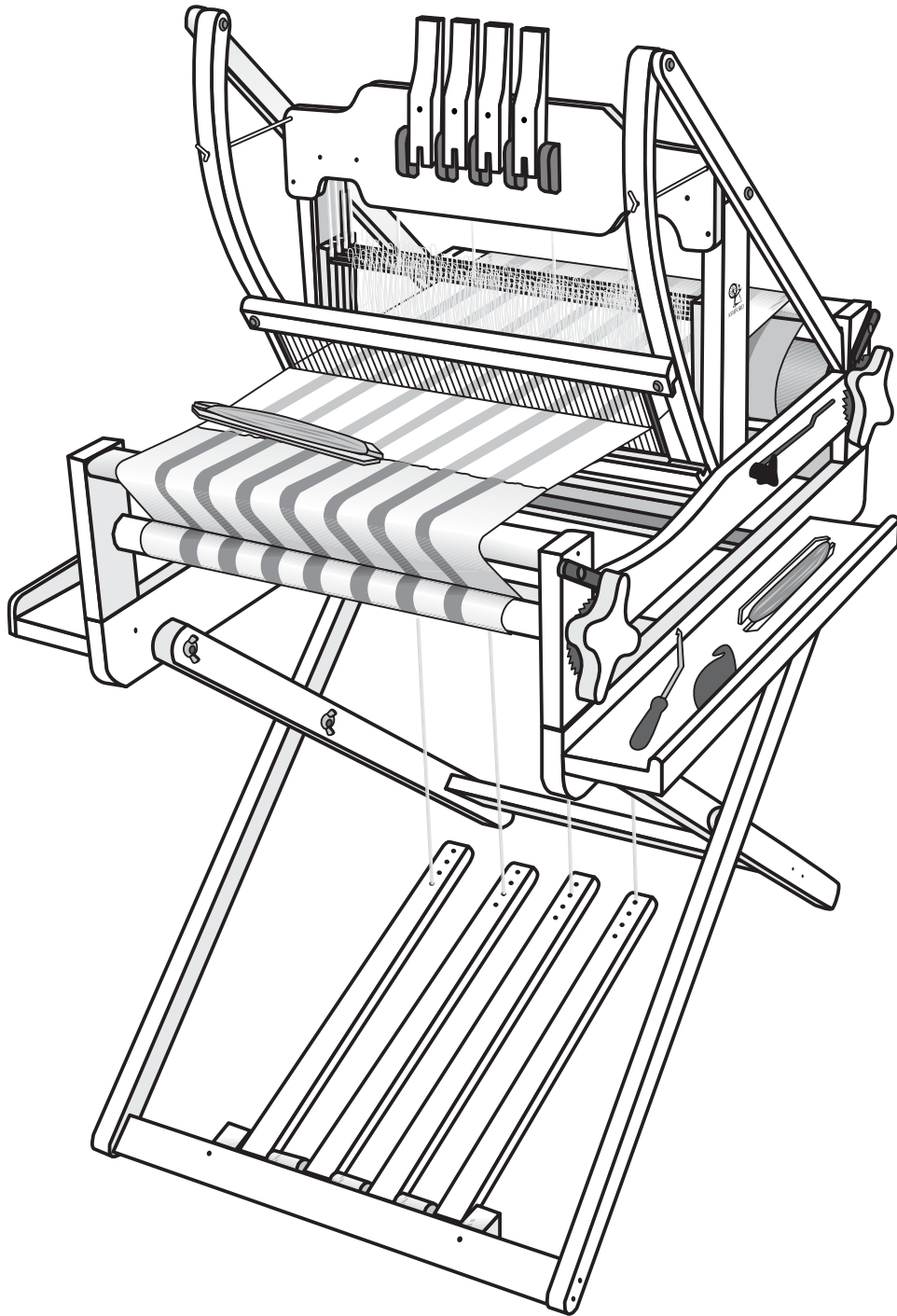
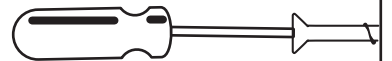
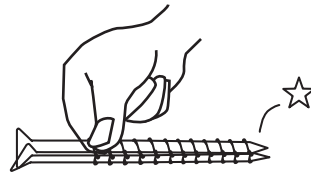
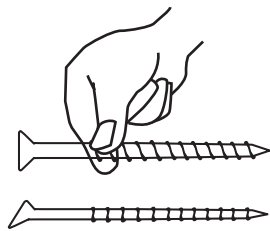
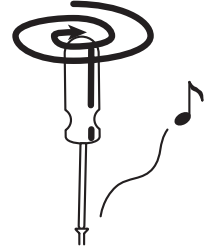
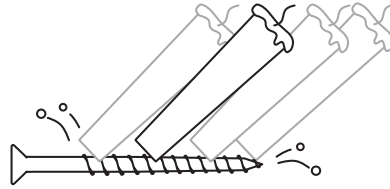
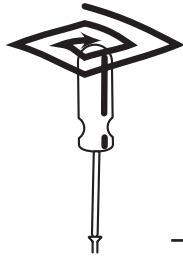
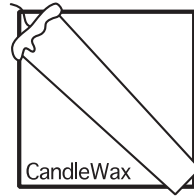
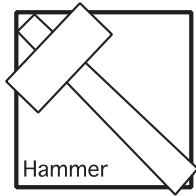
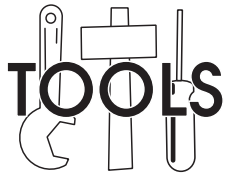


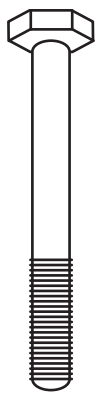
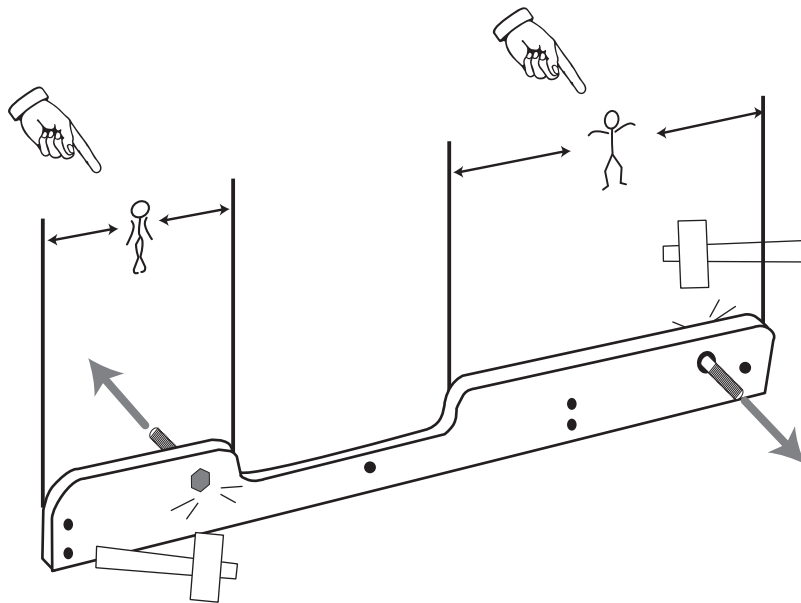
LOOM STAND TREADLE KIT-400mm (16ins)



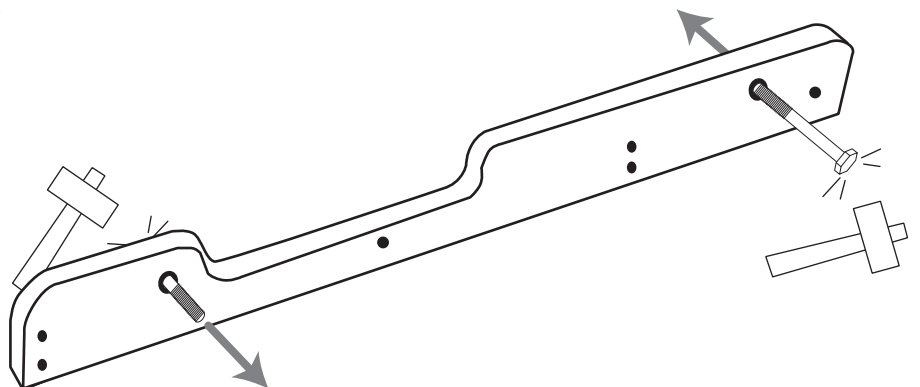


1

!Check



x4

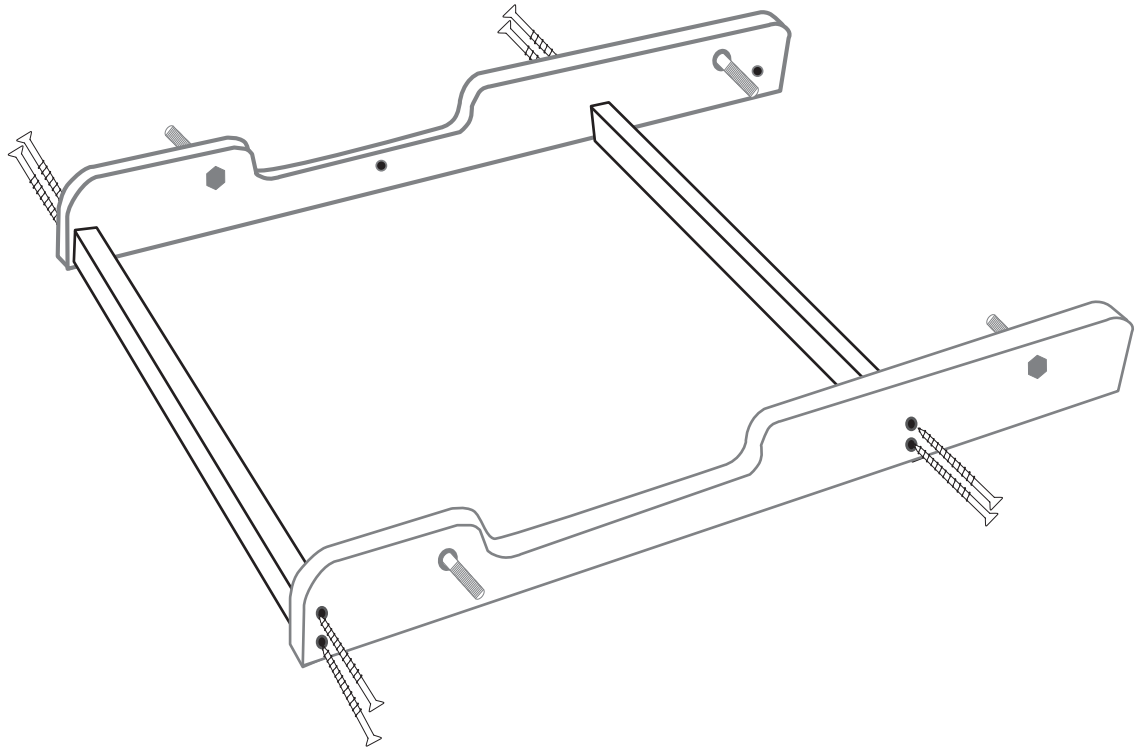


2

!Check



x8

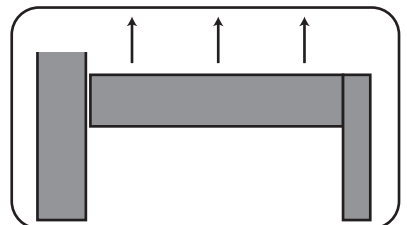
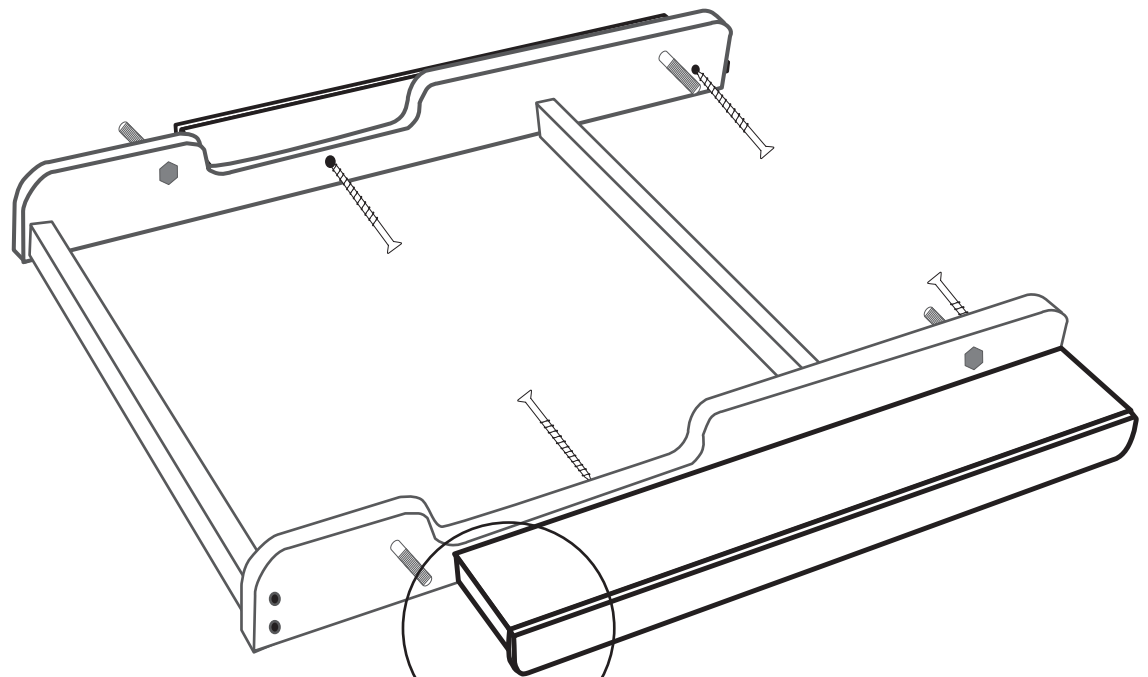


3

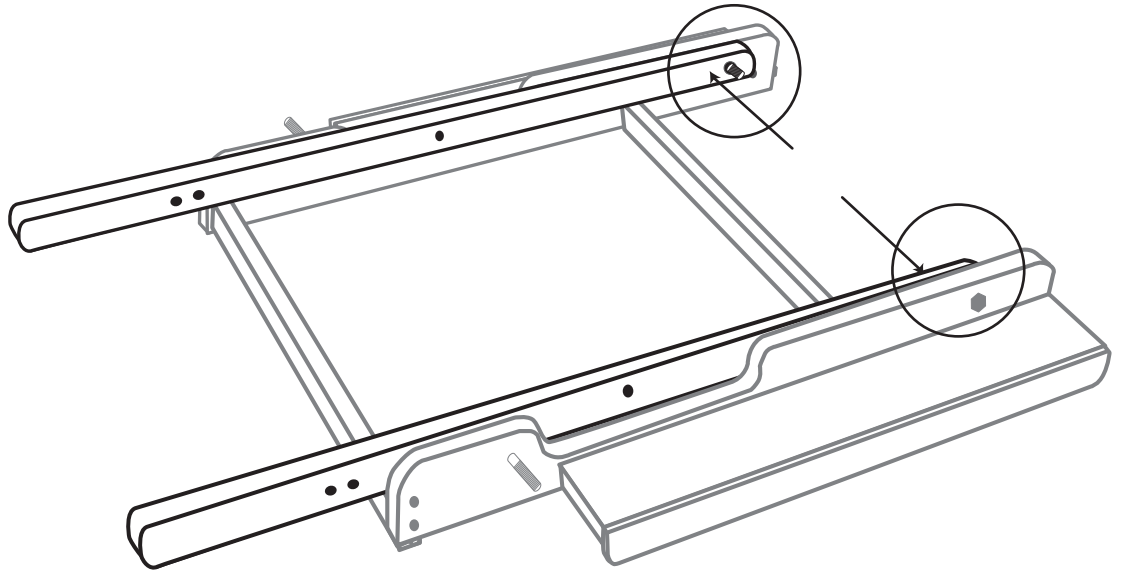
!Check



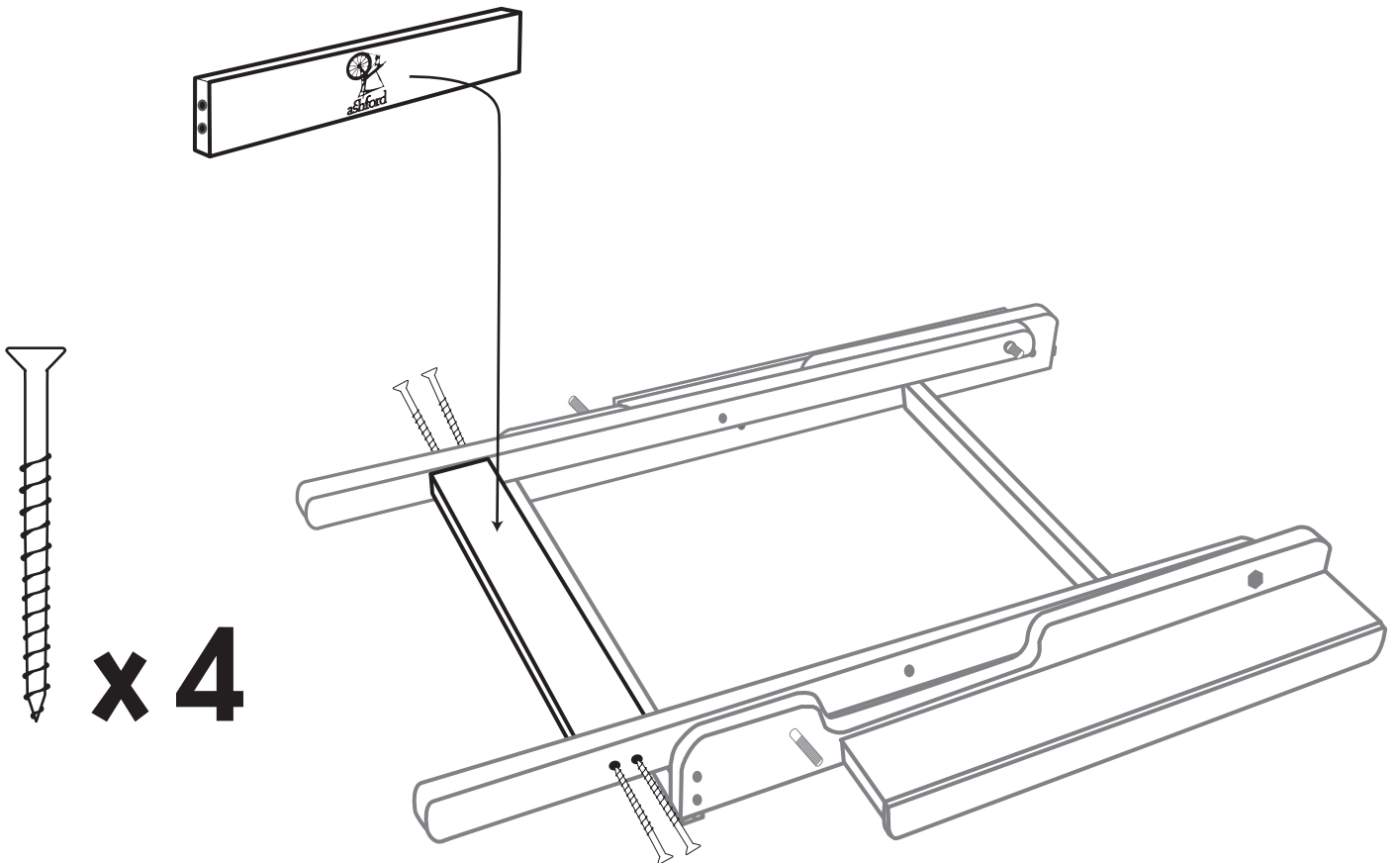
x4



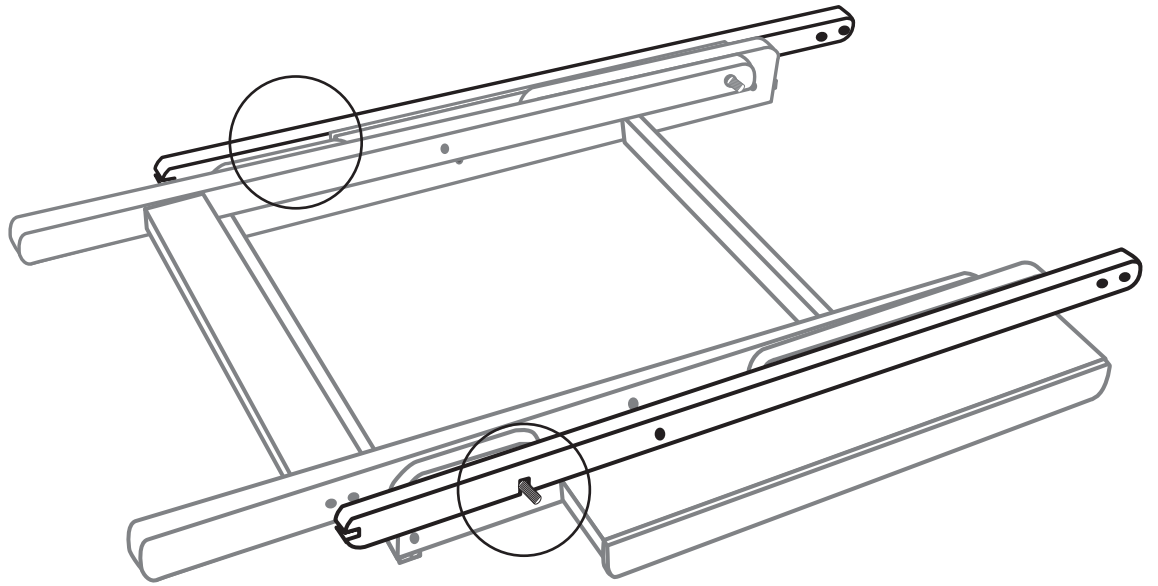
4



5

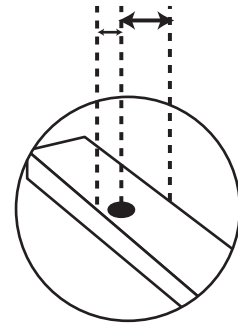


6

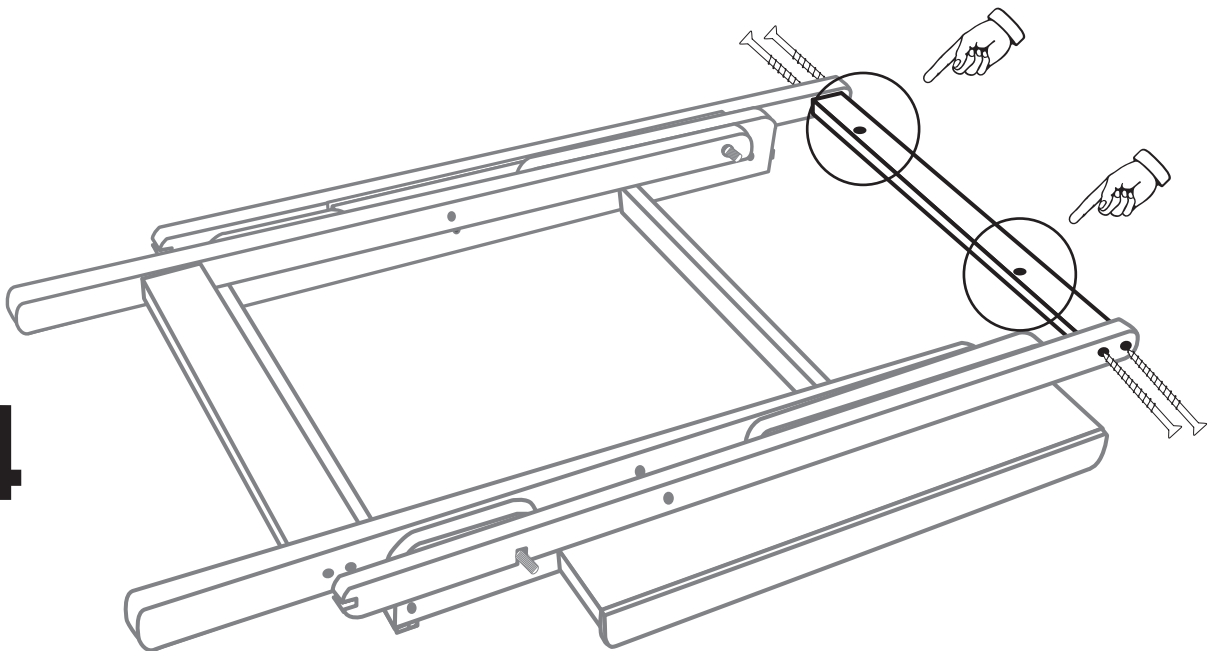


7

!Check

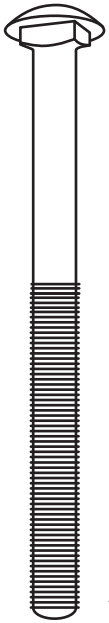
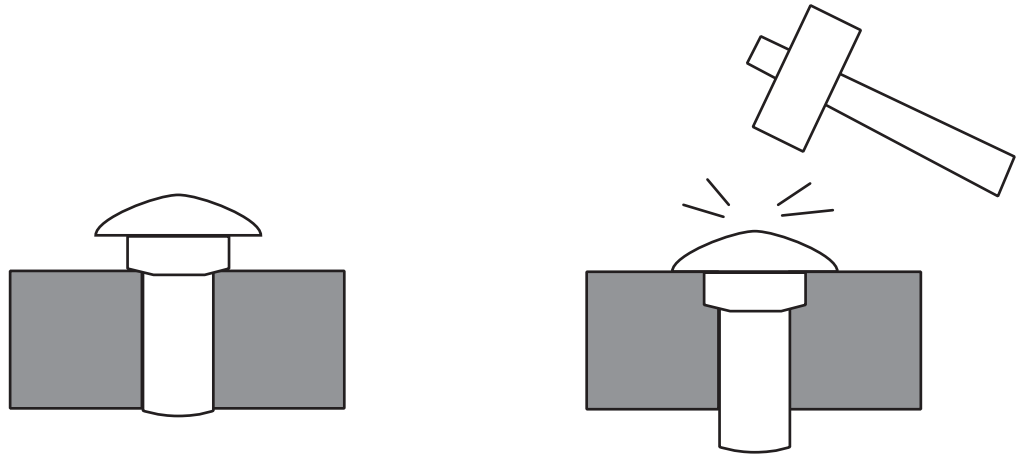


x 4

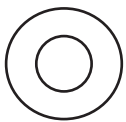


8

!Check



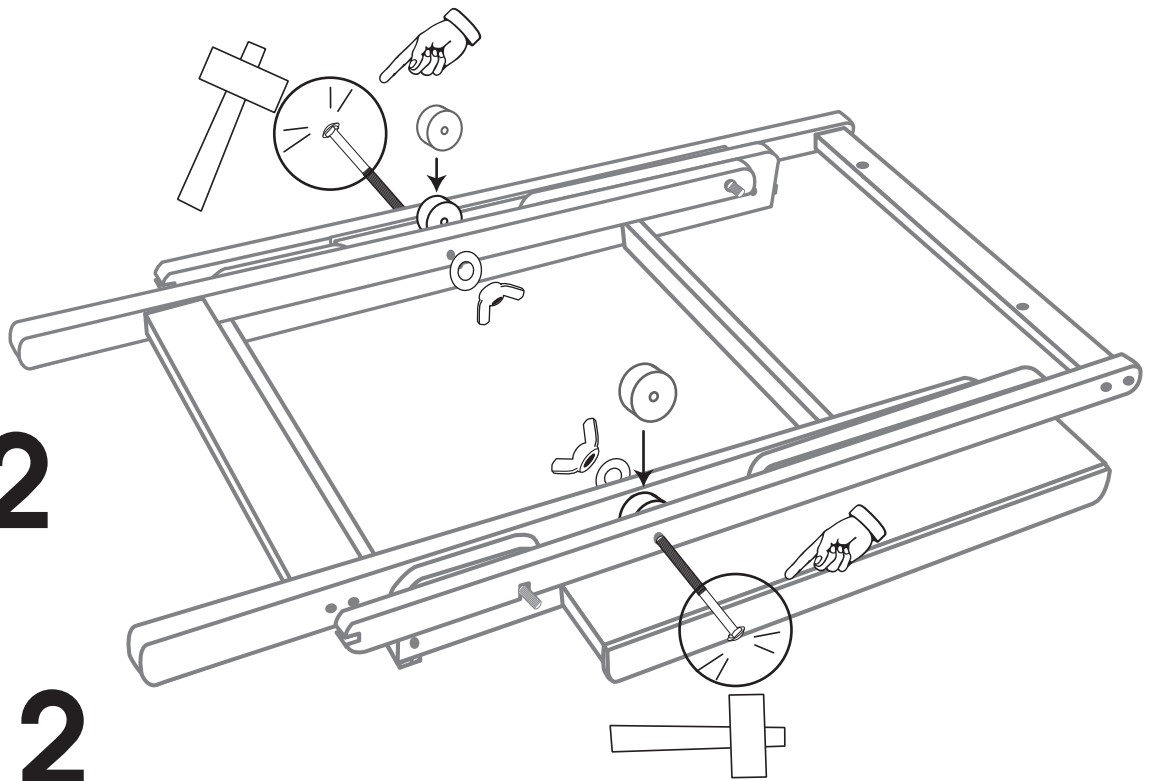
x 2



x 2



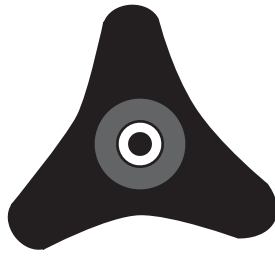
x 2

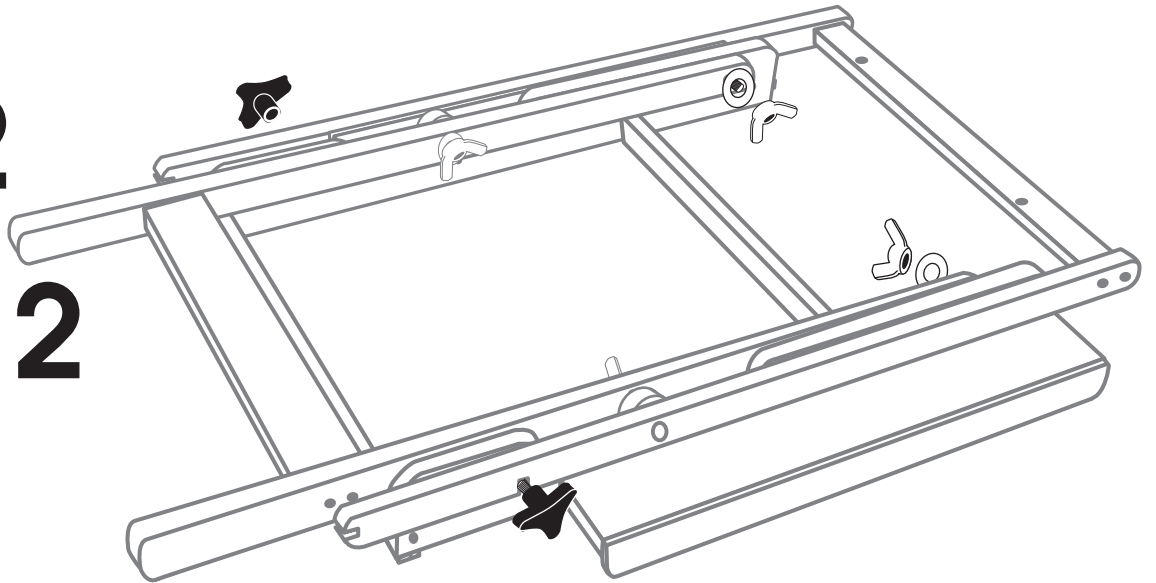


9

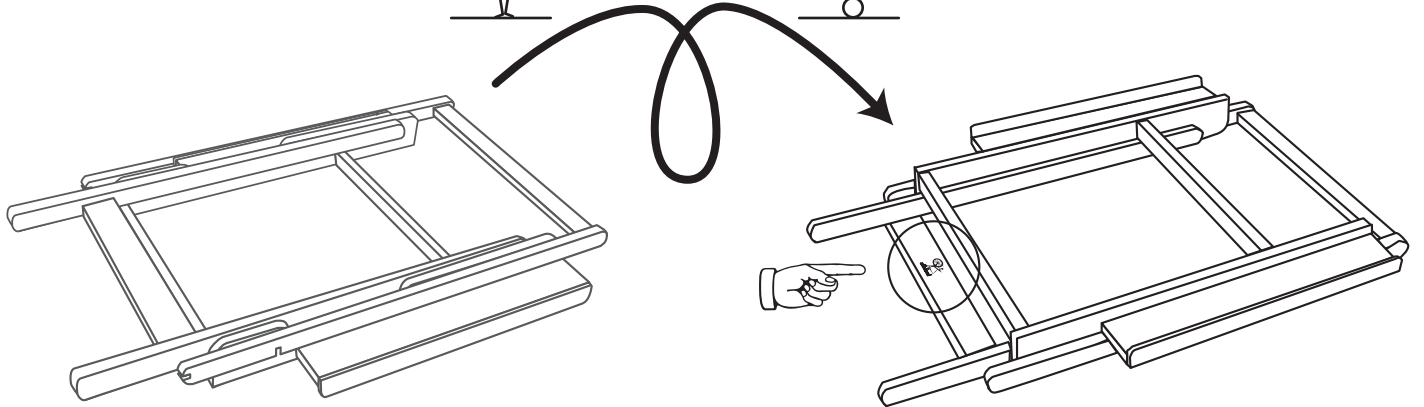
 x 2

 x 2


 x 2

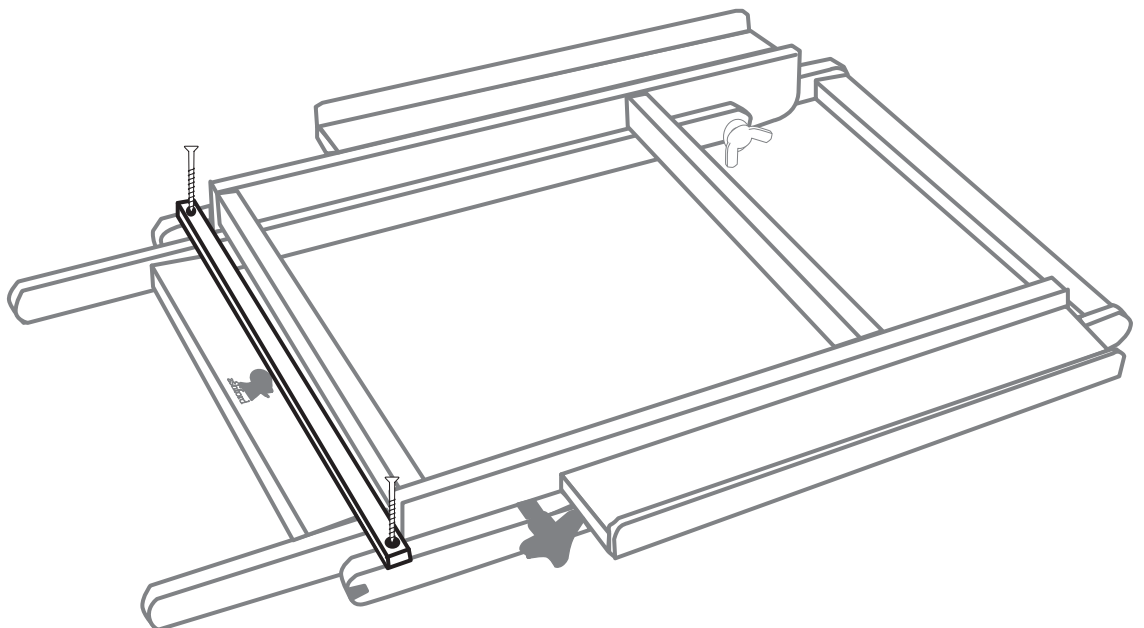


10



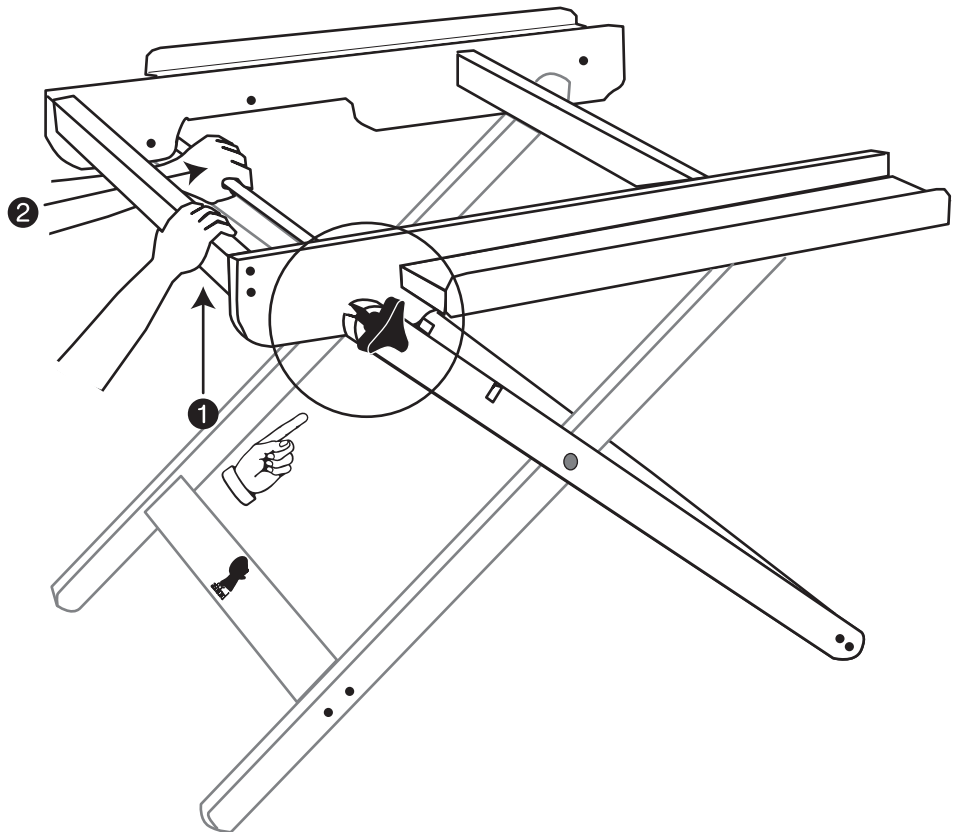
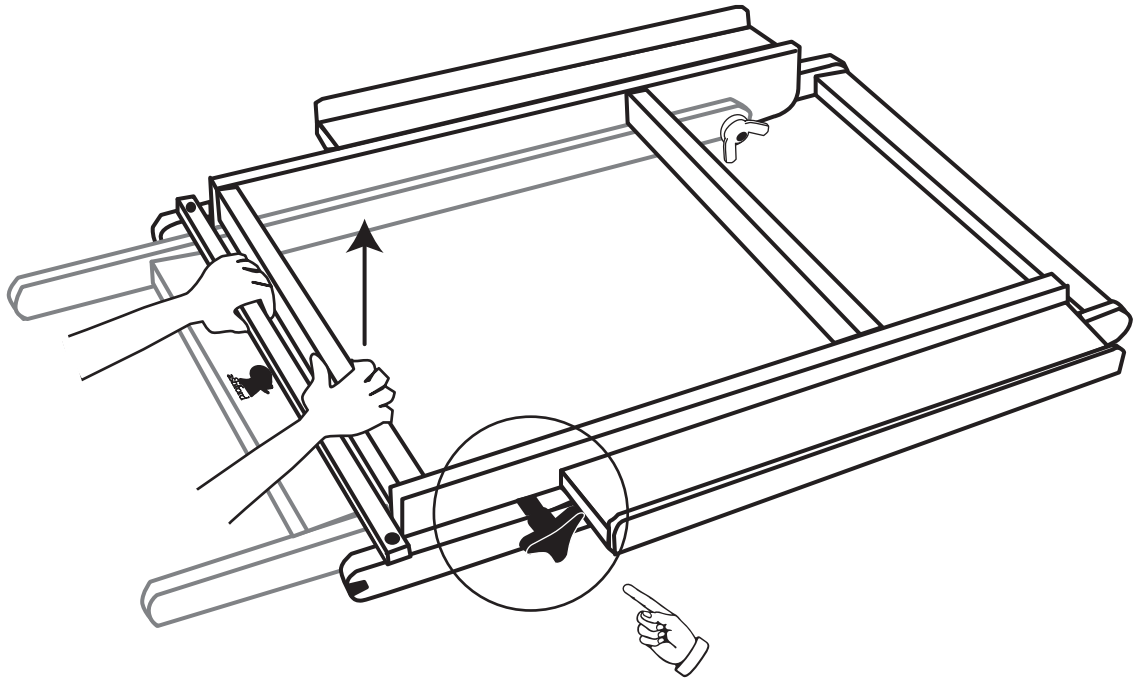
11

 x 2

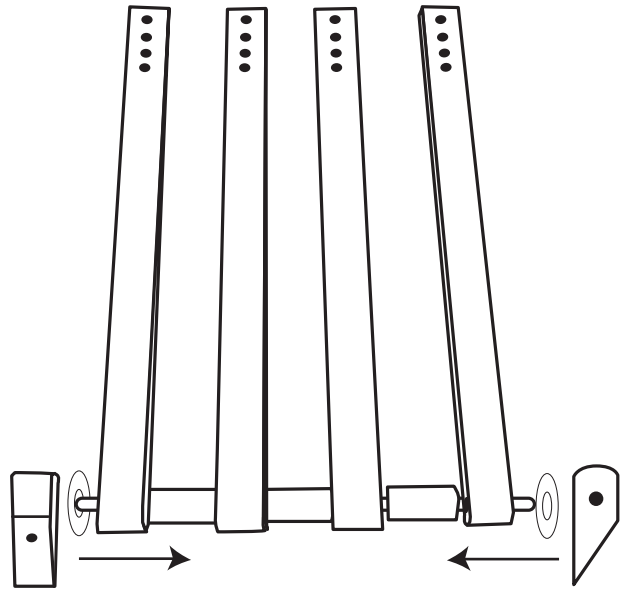
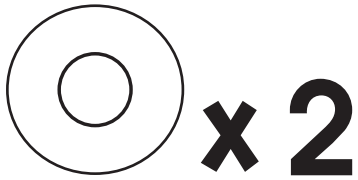


12

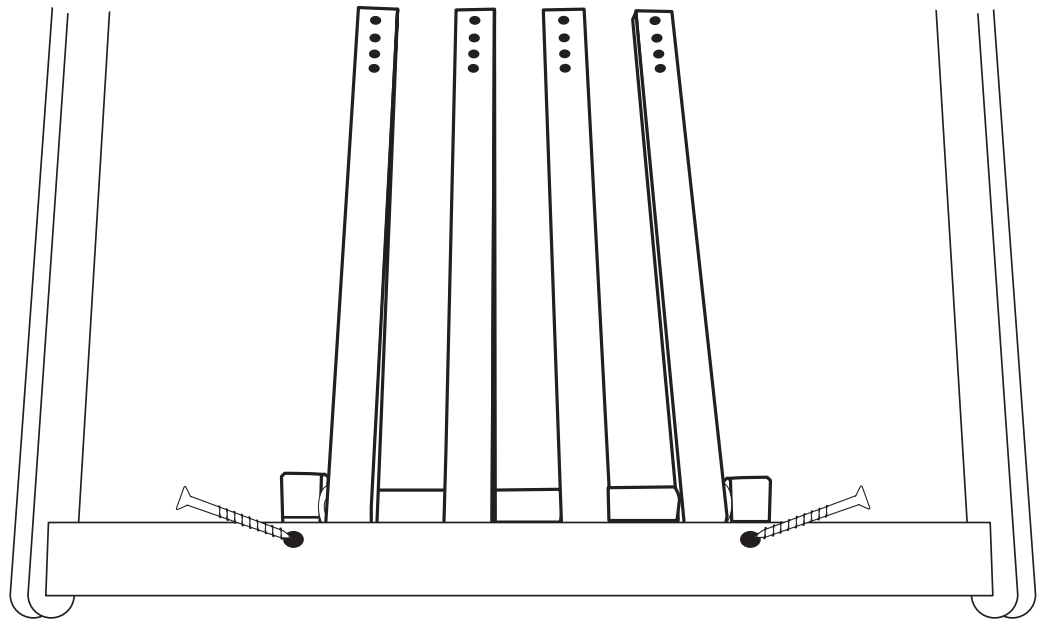
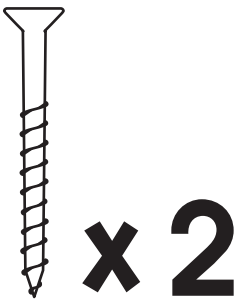
!Check



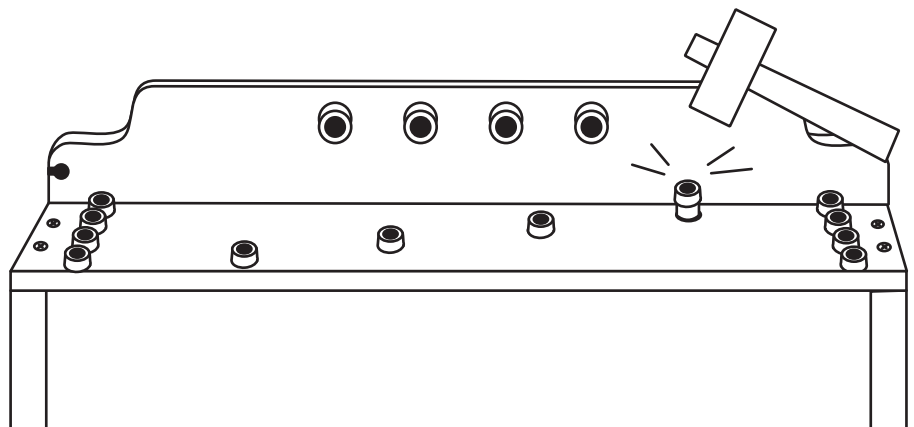
13



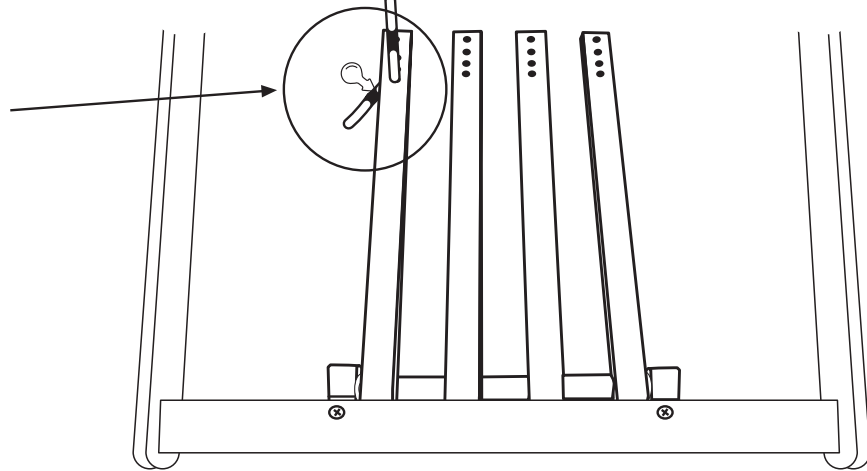
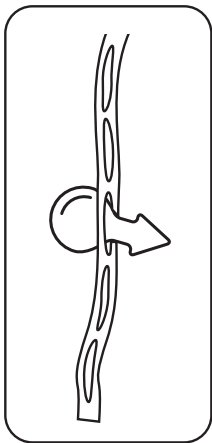
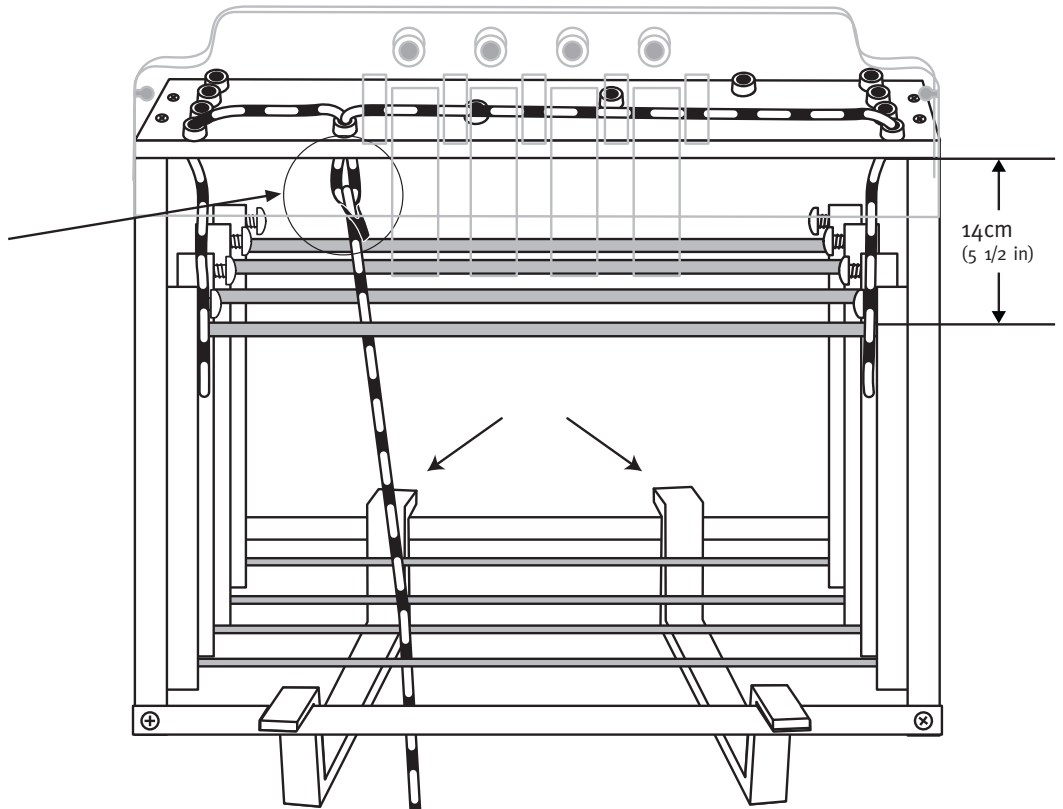
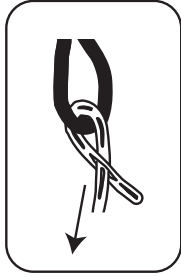
14



15



16



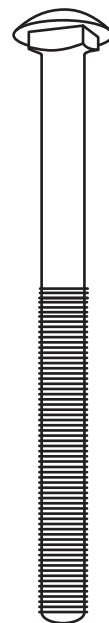
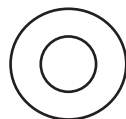
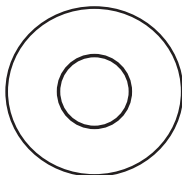
38mm



50mm



50mm



75mm

Real scale hard ware samples For Loom Stand Treadle Kit